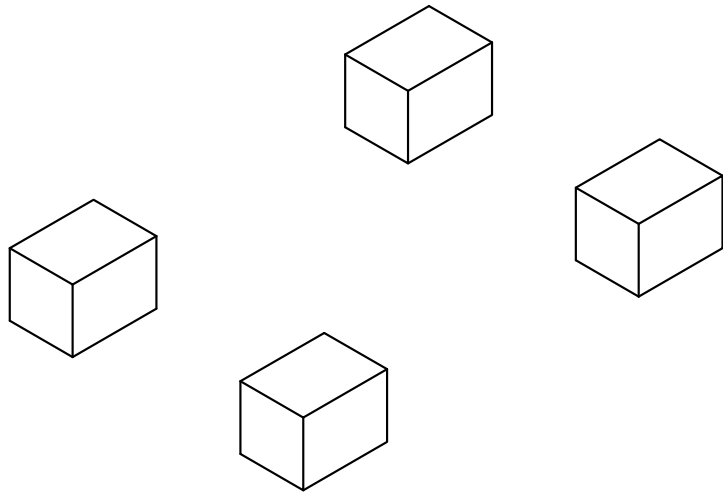
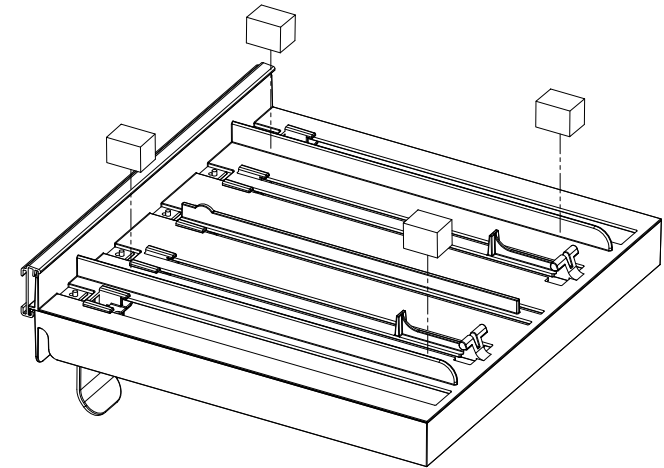


PUSHER TRAY TAPE KIT



NOTE: Kit includes (4x) Foam Tape Pads (430195)



Remove adhesive backing from both sides of foam tape pads. Place foam tape pads onto pusher tray.

NOTE: Do not place tape in the way of the pusher's track.

Once in place, stick pusher to shelf.

