

INSTALLATION INSTRUCTIONS

END MERCHANDISING PANEL (EMP)

TOTAL SHELF LOAD CAPACITY ON ENTIRE PANEL = 400 LBS. MAX (4000 in/lbs)

STEP 1: The island gondola must have the Base End Trim (BET) in place, on the bottom of the uprite, before installing the EMP.

NOTE FOR OPEN FRAME EMP'S WITH NO HARDBOARD PANELS: Remove Existing trim (UETXX) on end Uprite, or if new installation, take UETXX supplied and install upside down so that the top 1/4" flange is under the bottom of the uprite.

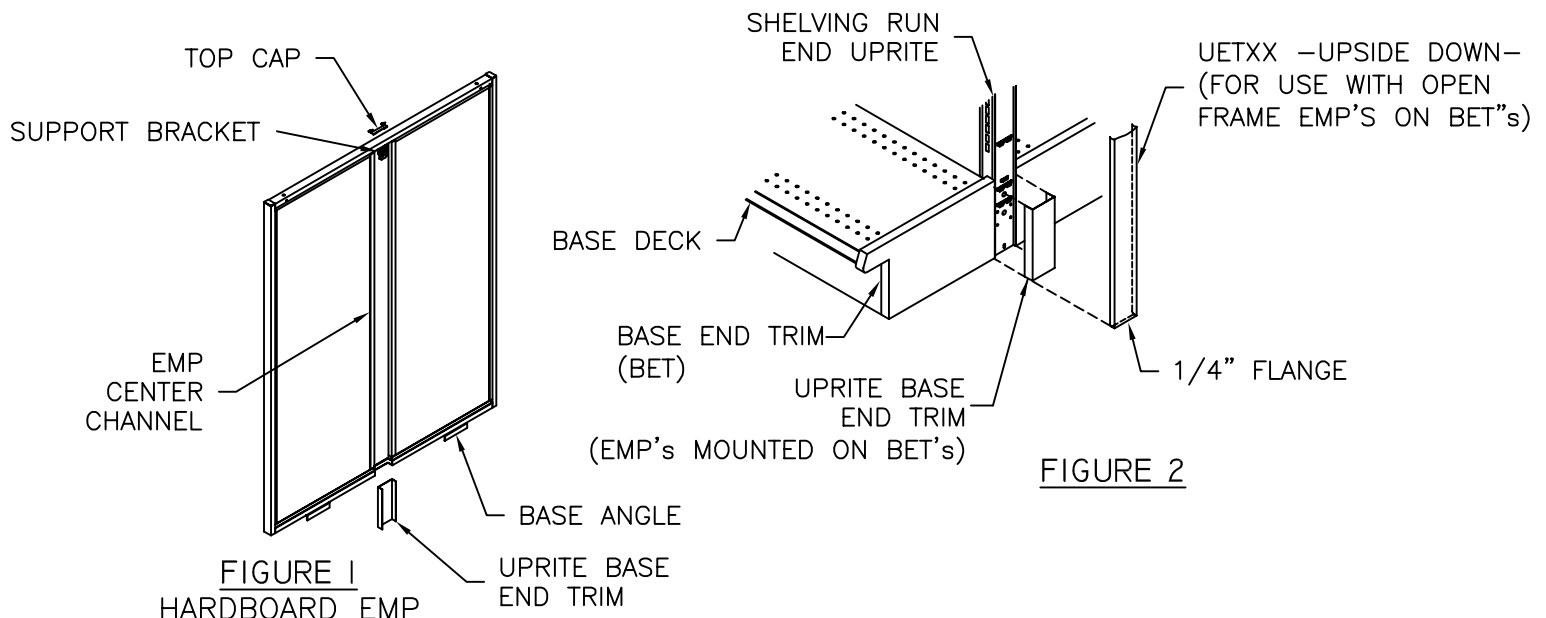


FIGURE 1
HARDBOARD EMP

FIGURE 2

STEP 2: Remove the uprite top cap if this is an existing shelving section.

STEP 3: Hook the EMP onto the shelving section so that:

- A. The Support Bracket hooks over the top edge of the end uprite in a shelving run. The fingerlike tabs of the Support Bracket go through the top lance, outside the uprite. (SEE FIGURE 3)
- B. The Base Angles are seated on the BET with the inner flanges between the BET and the base deck. (SEE FIGURE 4).

STEP 4: Insert Top Cap (provided) after the EMP is in proper position. (SEE FIGURE 5)

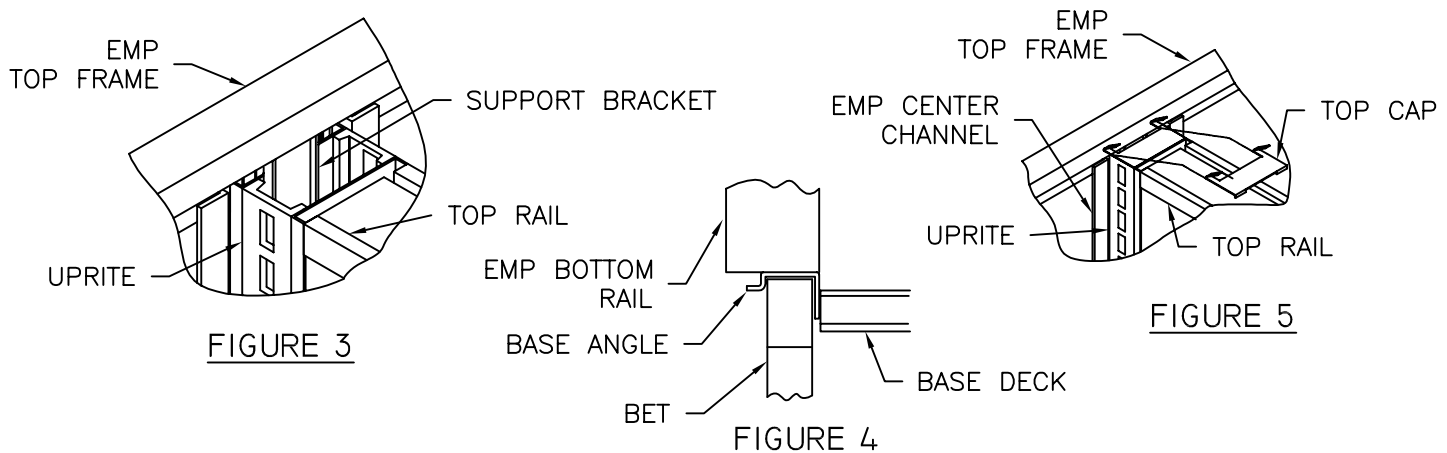


FIGURE 3

FIGURE 4

FIGURE 5

