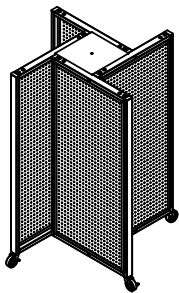
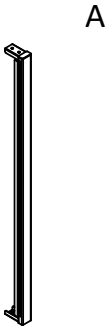


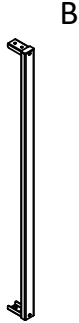
# FWD4824C List of Parts



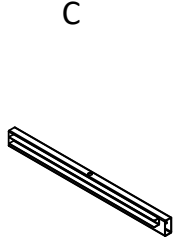
Assembled-4 way



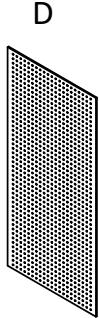
Frame-Right  
(4)



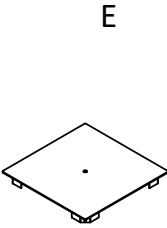
Frame-Left  
(4)



Connecting frame  
(8)



Panels  
(4)



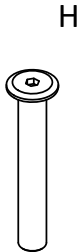
Topper frame  
(1)



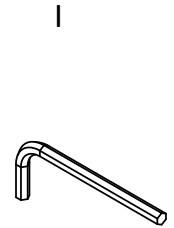
LOCKING CASTERS  
(4)



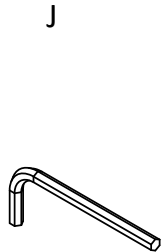
Machine Screw  
(1/4-20\*0.5")  
(32)



Machine Screw  
(3/8-16\*2.5")  
(8)



Allen wrench

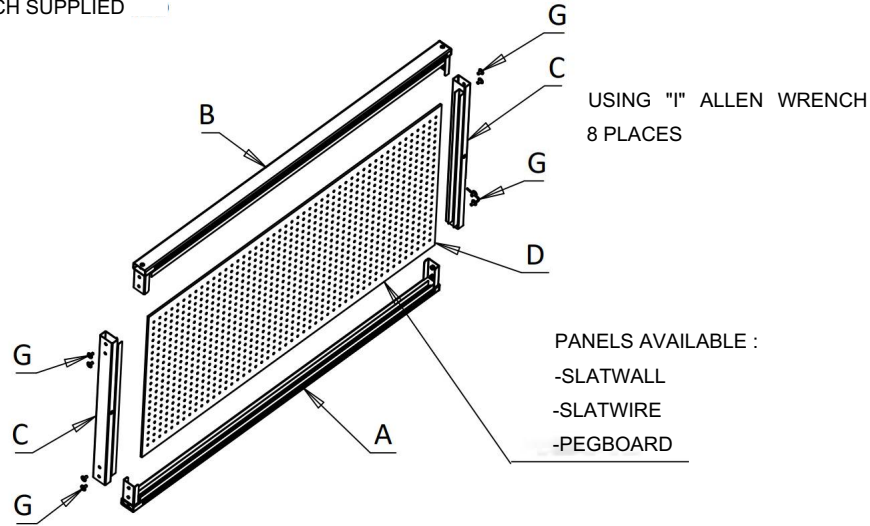


Allen wrench

# ASSEMBLY INSTRUCTIONS

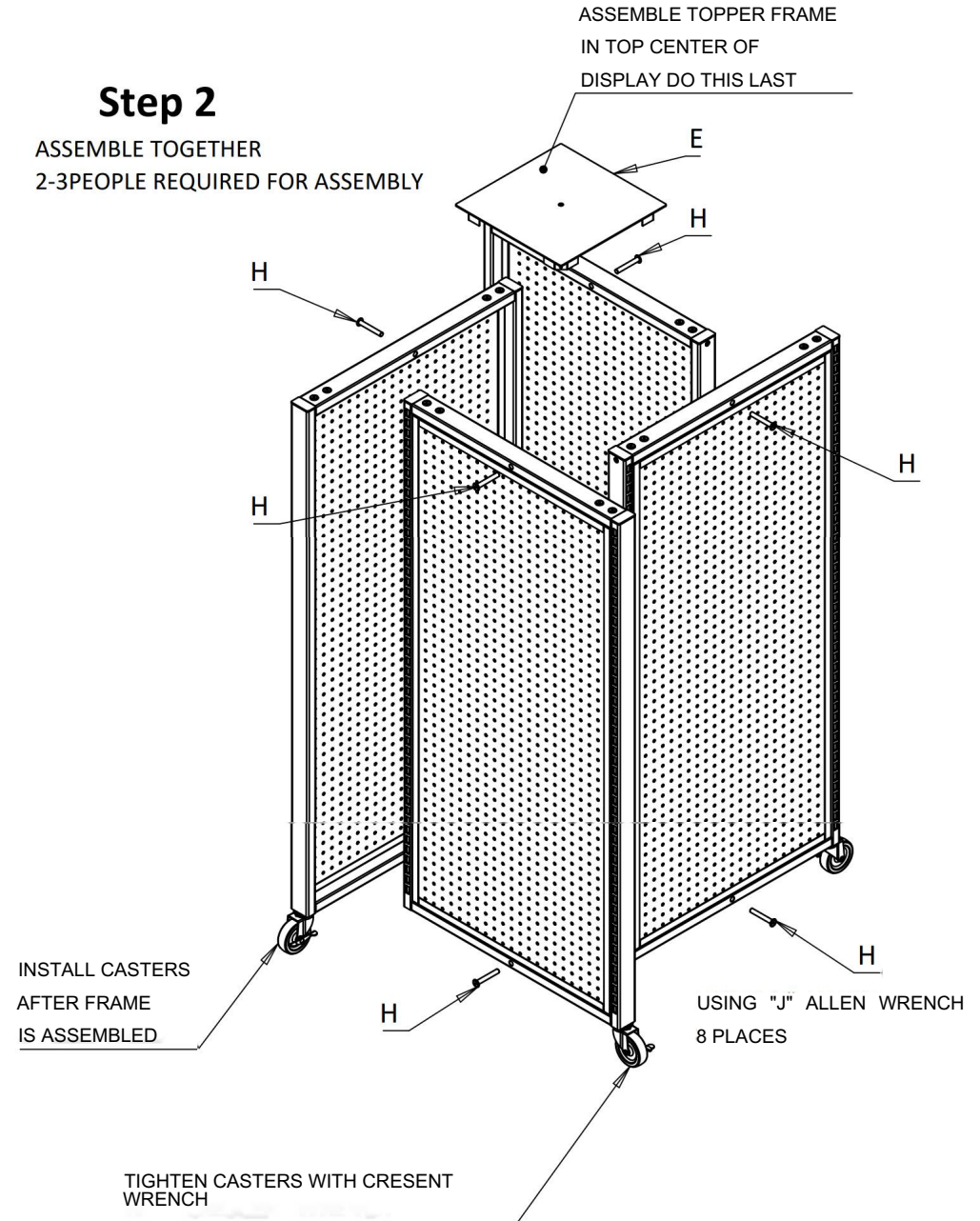
## Step 1

ASSEMBLE (4) WINGS USING ALLEN WRENCH SUPPLIED



## Step 2

ASSEMBLE TOGETHER  
2-3 PEOPLE REQUIRED FOR ASSEMBLY



## Step 3

ASSEMBLED  
NOTE: DISPLAY WILL ACCOMODATE  
LOZIER AND MADIX SHELVES,  
10" x 24", NOT SUPPLIED

