

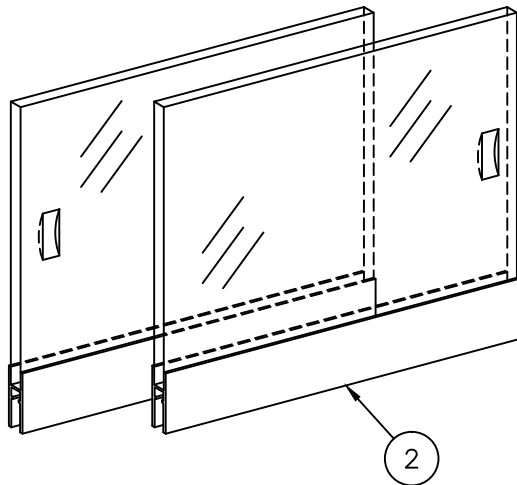
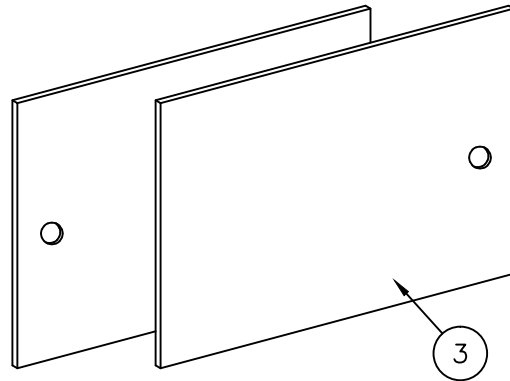
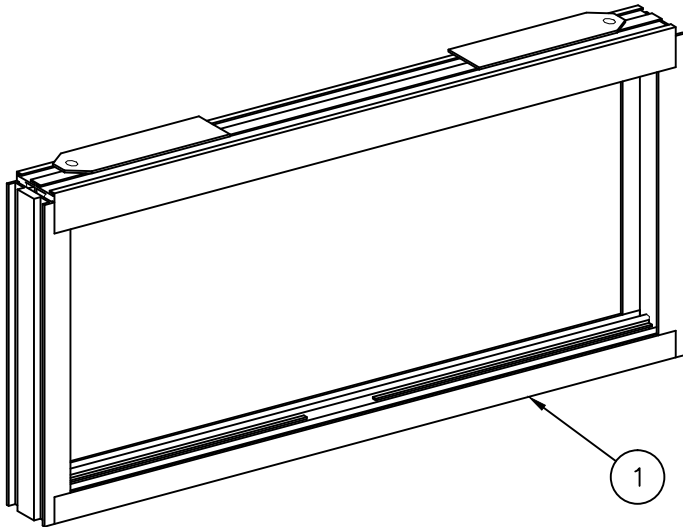
# INSTALLATION INSTRUCTIONS

## GLASS & HARDBOARD DOORKITS

NOTE: IF UNDER SHELF LIGHTING IS TO BE USED, INSTALL PRIOR TO DOORKIT INSTALLATION.

DG\_\_\_ = Glass Doorkit  
 DG\_\_L = Glass Doorkit, Locking  
 DH\_\_\_ = Hardboard Doorkit

ITEM	DESCRIPTION	REQUIRMENTS FOR	
		GLASS DOORKITS	HARDBOARD DOORKITS
1	Door Frame	1	1
2	Door, Glass	2	—
3	Door, Hardboard	—	2
4	Hardware Pack (not shown)	1	1



# INSTALLATION INSTRUCTIONS

## GLASS & HARDBOARD DOORKITS

**STEP 1:** Remove doors from frame as follows:

### GLASS DOORKIT, LOCKING (DG - L)

- A. Slide door on exterior track until retainers align with notches in track. The door can now be lifted upwards into the top frame. The retainers must align with notches before door can be removed (see Figure 1).

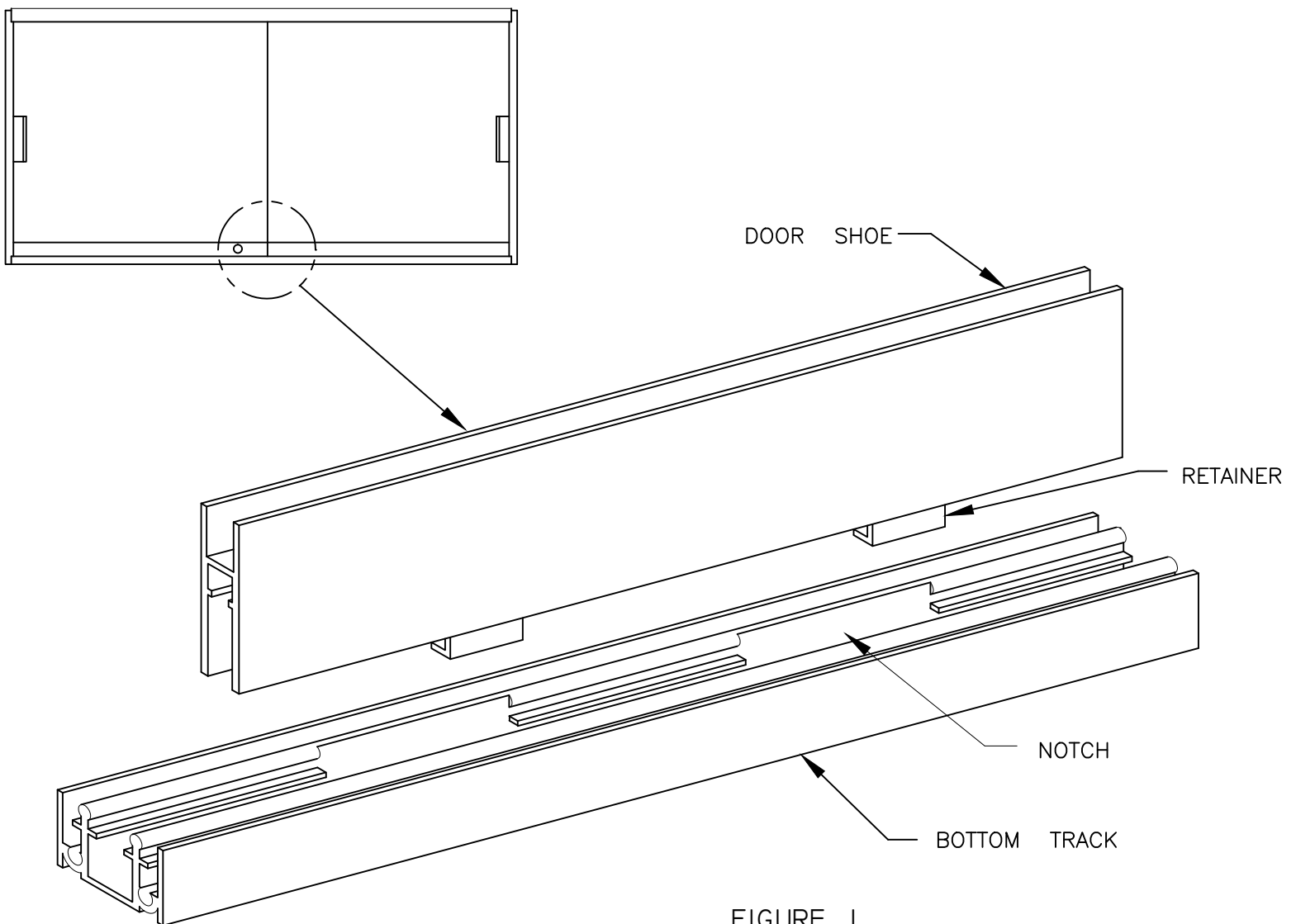


FIGURE 1

# INSTALLATION INSTRUCTIONS

## GLASS & HARDBOARD DOORKITS

### STEP 1: (Continued from page 2)

- B. Grasp vertical edges near bottom of door.
- C. Lift door upwards into top frame and swing bottom of door outwards.  
Door is now free and may be removed from frame. (see FIGURE 2)
- D. Repeat Steps A, B, and C with door on interior track.

### GLASS DOORKIT, NON-LOCKING (DG\_) & HARBOARD DOORKIT (DH\_)

- E. Move exterior door to center of frame.
- F. Repeat steps B,C, and D.

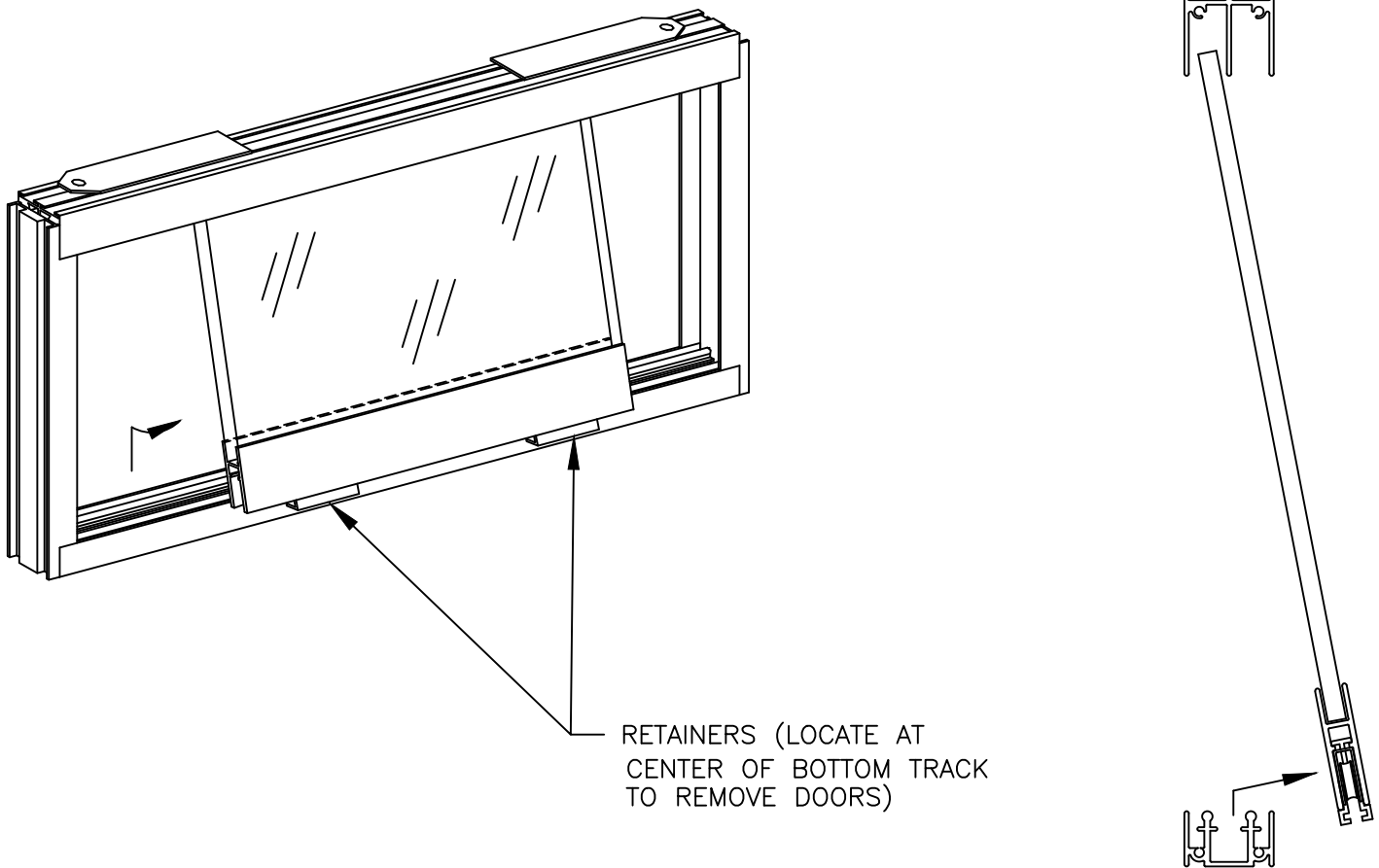


FIGURE 2

# INSTALLATION INSTRUCTIONS

## GLASS & HARDBOARD DOORKITS

**STEP 2:** Position Frame (without doors) on Shelf or Deck. The ends of the Frame must be flush with the ends of Shelf or Deck

### GLASS DOORKITS (DG\_ & DG\_L)

Align the pre-drilled holes in the bottom of the Door Frame with the front row of holes in the Shelf or Deck. Assemble using #8-32 x 1/2" Machine Screws and Nuts provided (see FIGURE 3A). If Doorkit is taller than 42", position Support Channel on under side of Shelf or Deck with open end of channel facing toward the back of the shelf or deck. Assemble using #8-32 x 1 3/4" Machine Screws provided as shown in FIGURE 3B.

NOTE: If Shelf or Deck is not perforated, locate Frame so screw locations are 25/32" in from front edge of Shelf or Deck. Mark screw locations and drill 1/4" holes in Shelf or Deck.

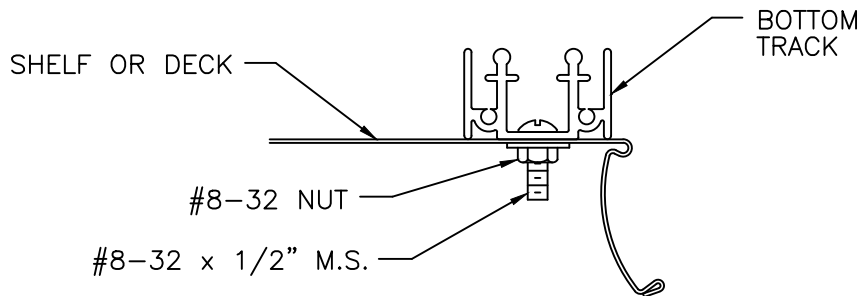


FIGURE 3A

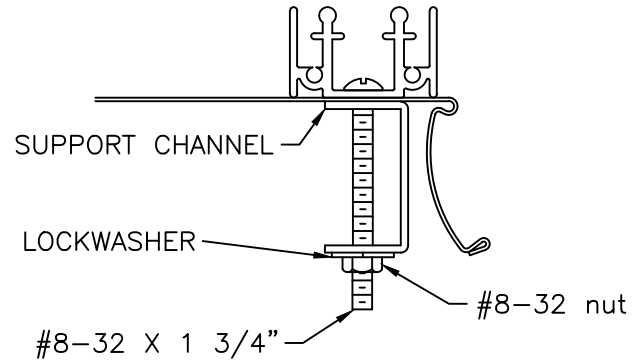


FIGURE 3B

### HARDBOARD DOORKITS (DH\_)

Adjust pre-installed screws in bottom Frame so they are 3" in from the ends of the Frame. Screws will now align with holes in Shelf or Deck. Install in first row of holes and assemble using Hex Nuts provided (see FIGURE 4).

NOTE: If Shelf or Deck is not perforated, locate Frame so screw locations are 25/32" in from front edge of Shelf or Deck. Mark screw locations and drill 1/4" holes in Shelf or Deck.

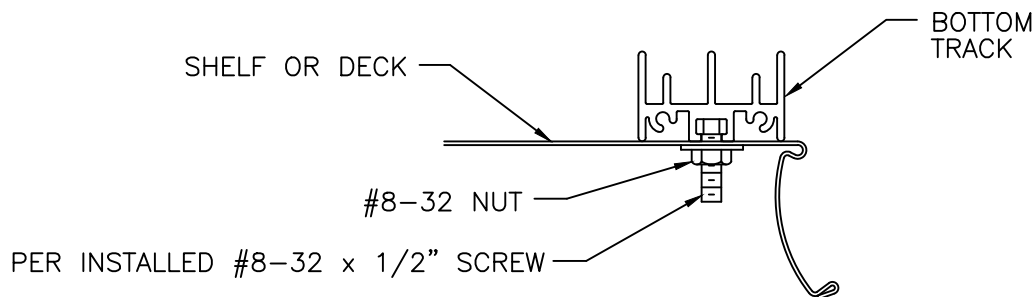


FIGURE 4

# INSTALLATION INSTRUCTIONS

## GLASS & HARDBOARD DOORKITS

**NOTE:** Order a doorkit gap filler (DKGF\_) separately if needed.

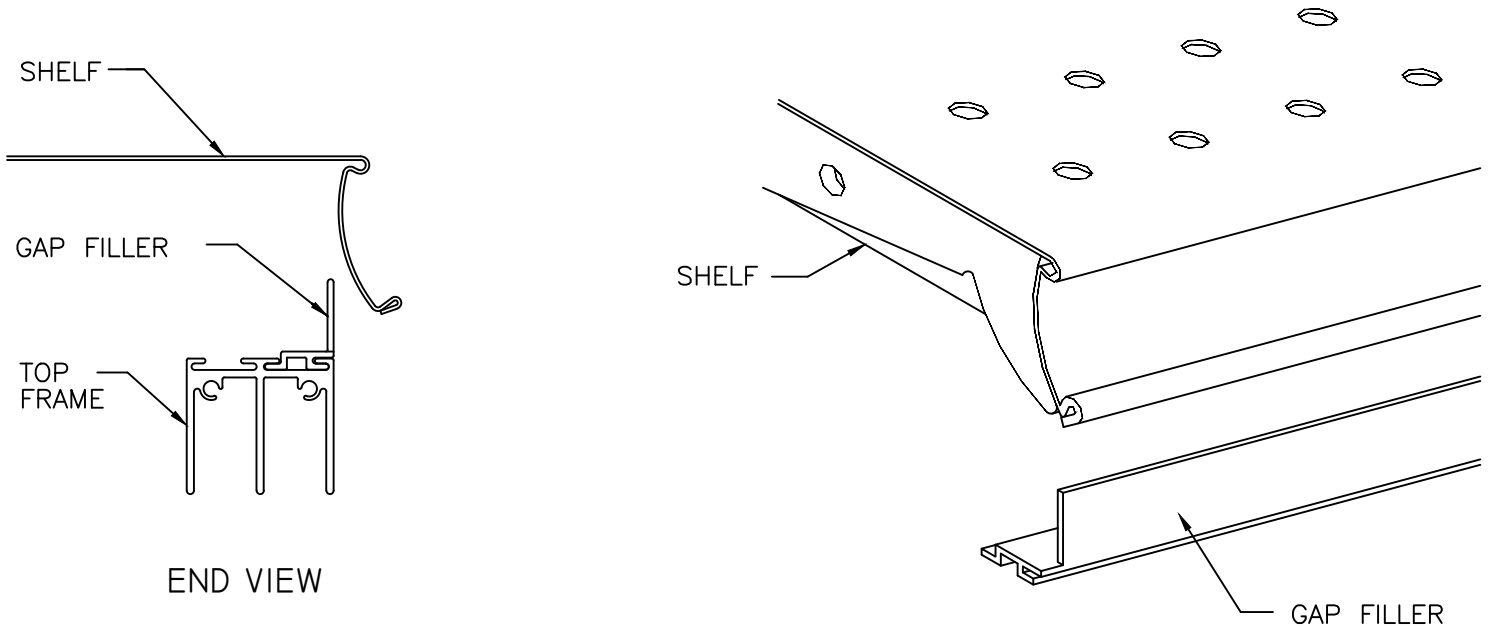


FIGURE 5

**STEP 3:** Adjust Straps on Frame as follows:

- A. Rotate Strap away from Frame so it is just short of being perpendicular (see FIGURE 6).
- B. Tighten screws, as required, to hold Strap firmly in place.

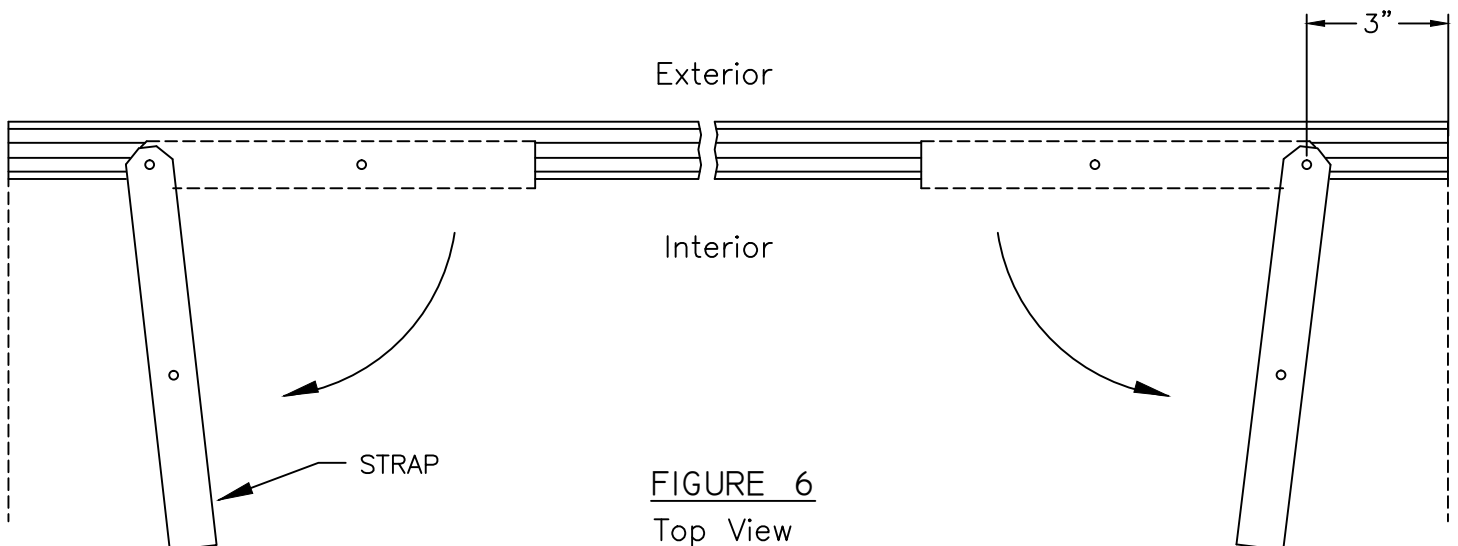


FIGURE 6  
Top View

# INSTALLATION INSTRUCTIONS

## GLASS & HARDBOARD DOORKITS

GENERAL NOTE: The following Step applies to installations which have a steel shelf immediately above the door frame. STEP 5 pertains to installations which have a wooden shelf immediately above the door frame.

**STEP 4:** Attach door frame straps to steel shelf immediately above the door frame as follows:

A. Adjust Straps so prepunched hole aligns with Shelf channel.

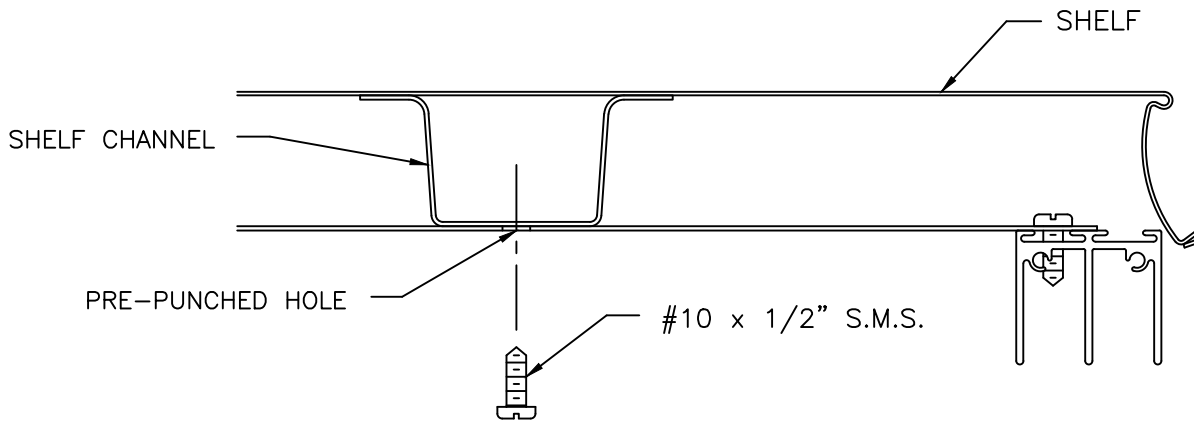


FIGURE 7

B. Using prepunched hole as a guide, drill a 9/64" hole through Shelf channel. DO NOT DRILL THROUGH SHELF TOP. Attach Straps using sheet metal screws provided.

C. Bend Straps as shown in FIGURE 8 to provide clearance for applications requiring a light kit

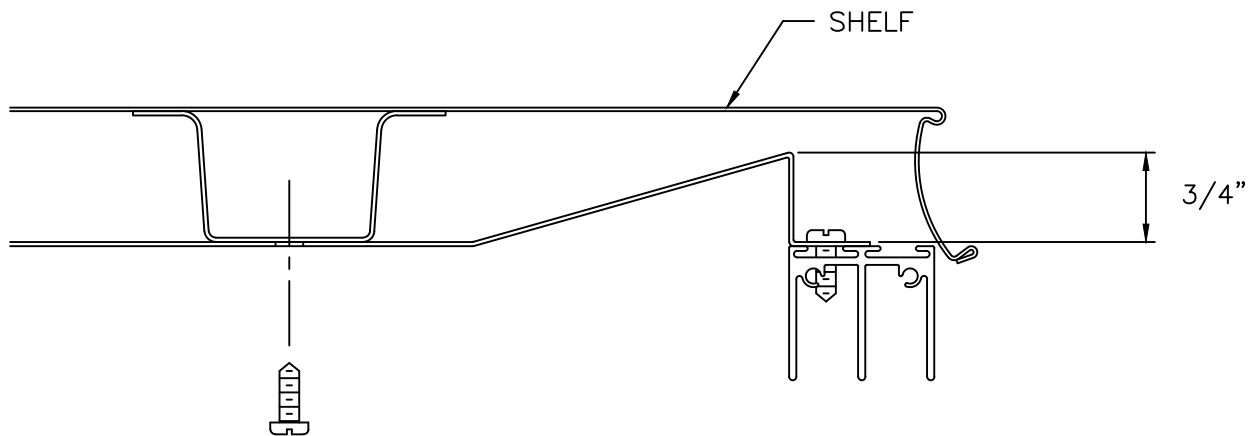


FIGURE 8

# INSTALLATION INSTRUCTIONS

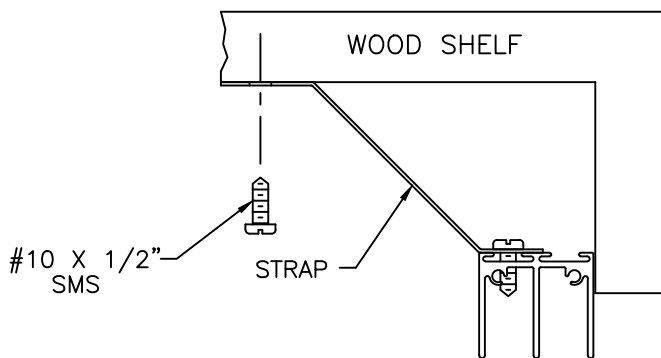
## GLASS & HARDBOARD DOORKITS

**STEP 5A:** When a Wood Shelf is used above a DoorKit, attach DoorKit frame to Shelf as follows:

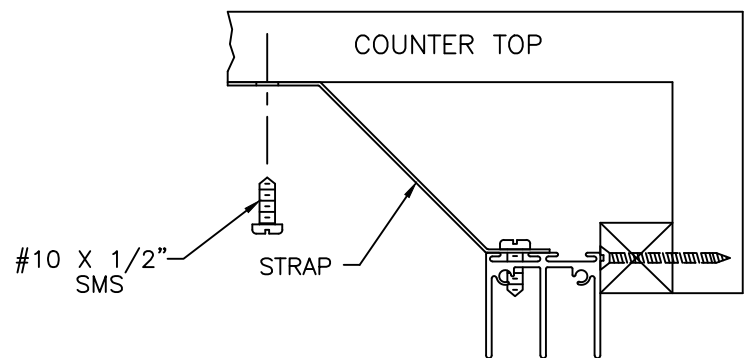
- A. Bend DoorKit Straps as shown. See FIGURE 9A when DoorKits rest on an S-Series Shelf or FIGURE 9B for NT Style Shelf.
- B. Attach Straps to the Wood Shelf using sheet metal screws provided.

**STEP 5B:** When a Counter Top is used above a DoorKit, attach DoorKit frame to Shelf as follows:

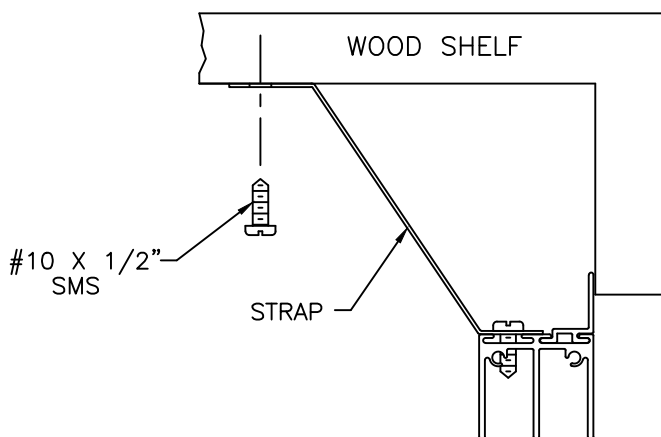
- A. Bend DoorKit Straps as shown. See FIGURE 9C when DoorKits rest on an S-Series Shelf or FIGURE 9D for NT Style Shelf.
- B. Attach Straps to the Wood Shelf using sheet metal screws provided.



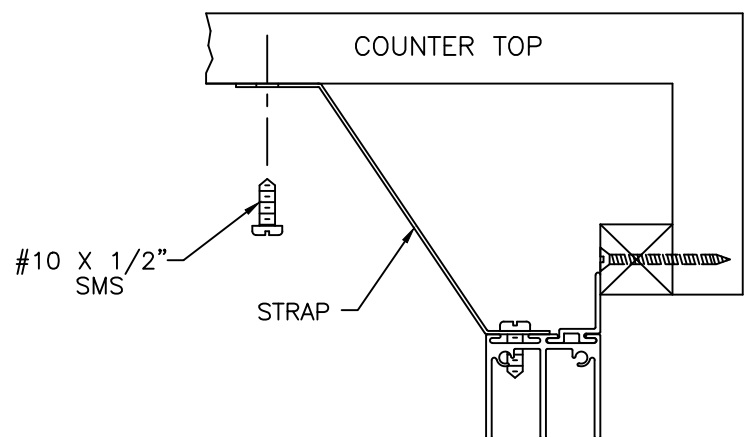
**FIGURE 9A**  
End View



**FIGURE 9C**  
End View



**FIGURE 9B**  
End View



**FIGURE 9D**  
End View

# INSTALLATION INSTRUCTIONS

## GLASS & HARDBOARD DOORKITS

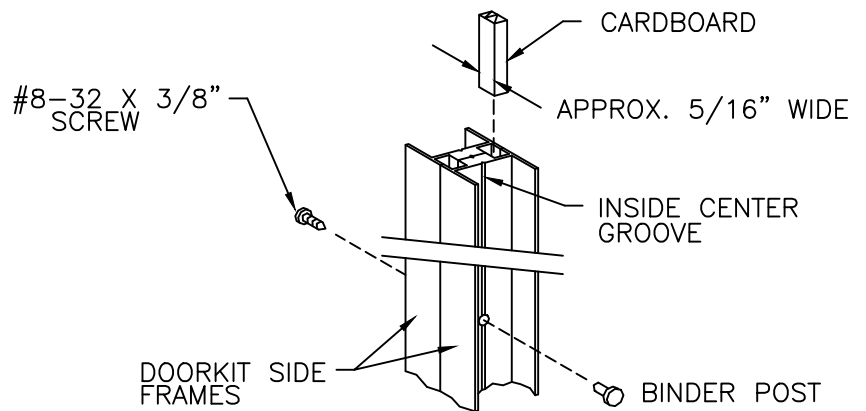
**STEP 6:** When Doorkits are installed side by side or with metal or wood End Panels, fasten the items together as follows:

\*\*\*\*\*THESE ATTACHMENT PROCEDURES ARE OPTIONAL\*\*\*\*\*

- Doorkits to 30" in height at one location per side midway between the top & bottom.
- Doorkits taller than 30" in height at two locations per side with locations equally spaced between the top & bottom.
- When Doorkits are installed in a lighted gondola, insert a narrow strip of hardboard or cardboard between frames to prevent light from passing through.

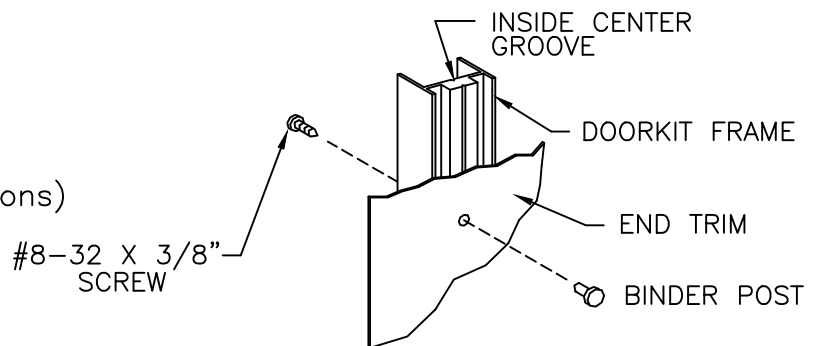
### A. Doorkits Side by Side

1. Using the inside center groove in the doorkit as a locator, drill a  $7/32$ " hole through both frames at both locations indicated above.
2. Assemble sides together using the #8 - 32 screws and binder posts provided



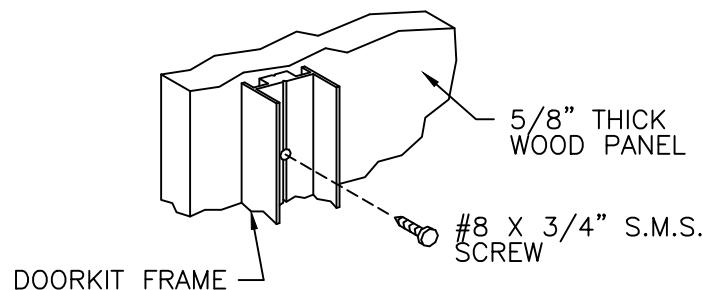
### B. Doorkits to Doorkit End Trim

1. Using the inside center groove in the doorkit as a locator, drill a  $7/32$ " hole through the frame and end trim.
2. Attach the trim to the frame (In four (4) places on tall applications) using the #8 - 32 screws and binder posts provided



### C. Doorkits to Wood End Panels

1. Using the inside center groove in the doorkit as a locator, drill a  $7/32$ " hole through the frame only.
2. Using the  $7/32$ " hole for alignment, drill a  $7/64$ " dia. hole approximately  $3/8$ " deep of slightly less than half the thickness of the wood panel.
3. Attach the frame to the wood panel using the #8 x  $3/4$ " S.M.S. screws provided.





# INSTALLATION INSTRUCTIONS

## GLASS & HARDBOARD DOORKITS

- STEP 7:** Install Doors. (note: always move Doors to the center of the Frame prior to removal and installation.)
- A. Position right side (interior) door at center of frame with door pull toward right side of Shelf. Insert top edge of door as far as possible into rear channel of frame top.
  - B. Swing bottom edge of door in above frame and position into the rear track. Retainers on locking Glass Doorkits must align with notches in frame bottom.
  - C. The glide rollers on the Glass Doorkits must rest on the roller track of the frame bottom.
  - D. Repeat procedure for front (exterior) door using the front track sections of the door frame. Door pull for exterior door must be opposite (left) end of Shelf.

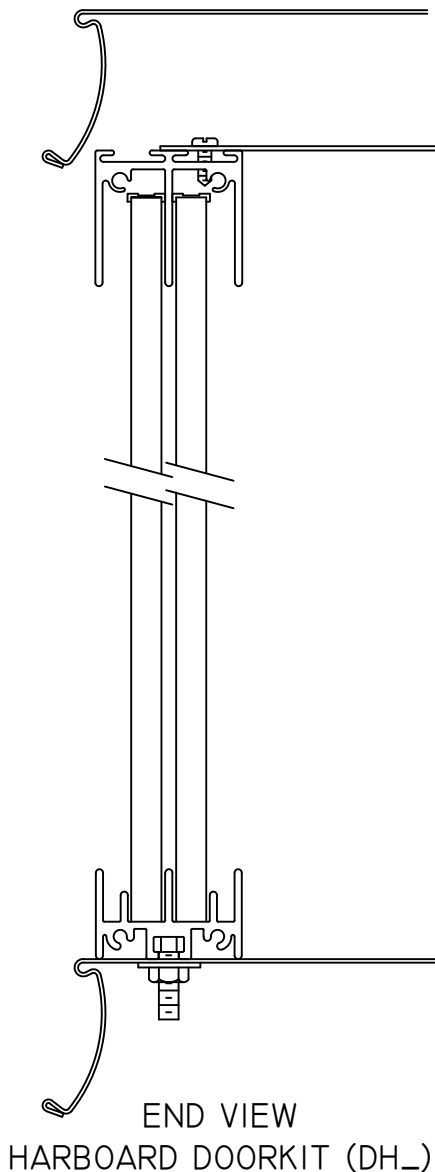
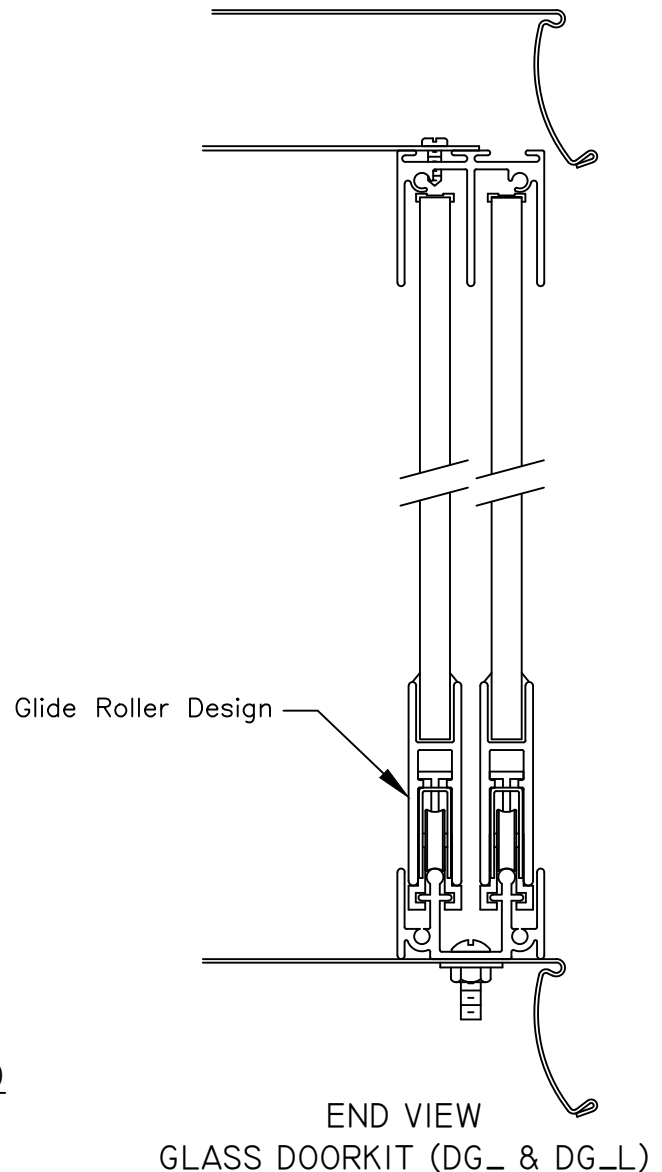


FIGURE 10



# INSTALLATION INSTRUCTIONS

## GLASS & HARDBOARD DOORKITS

**STEP 8:** Once installation is complete, if doors and locks are not aligning, take the following steps:

- A. Make sure entire uprite gondola is level. This is very important in proper door alignment. Remove the doors (repeat STEP 1).
- B. Loosen screws in Support Channel and install flat washers (in the center) between Support Channel and Deck as shown in FIGURE 11. Re-tighten nuts securely.

**STEP 9:** After all assembly is complete, remove paper cover foam tape on the inside of the side frames.

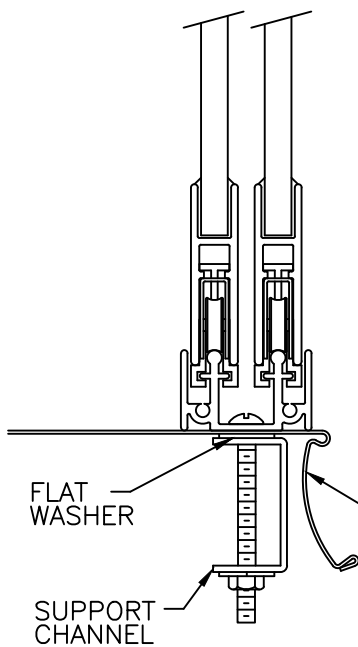


FIGURE IIA  
END VIEW

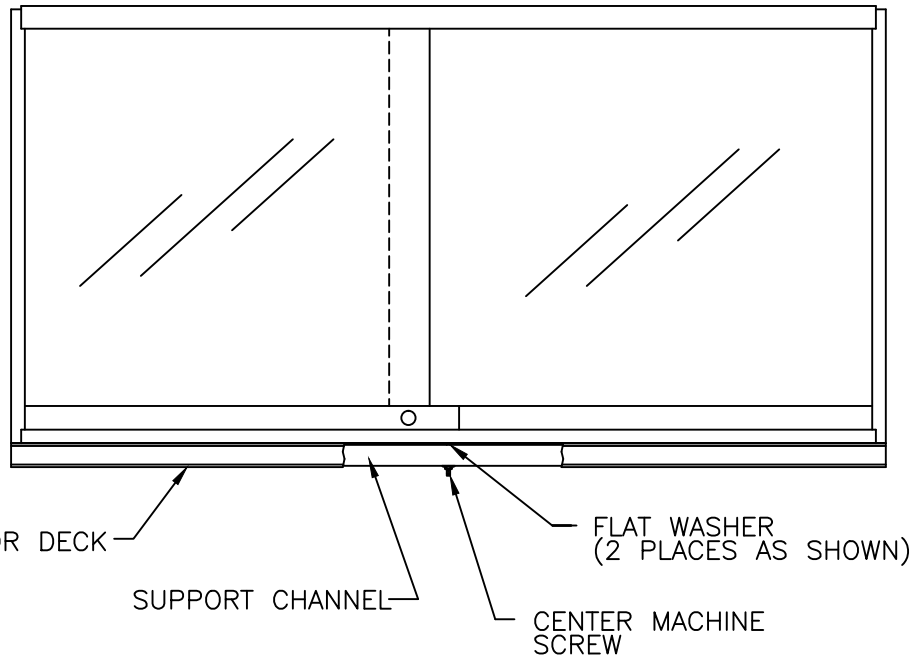


FIGURE IIB