

INSTALLATION INSTRUCTIONS

EXTENDED PEG PANEL


Extended Peg Panels less than 13".....Page 2

Extended Peg Panels 13" to 48".....Pages 3-4

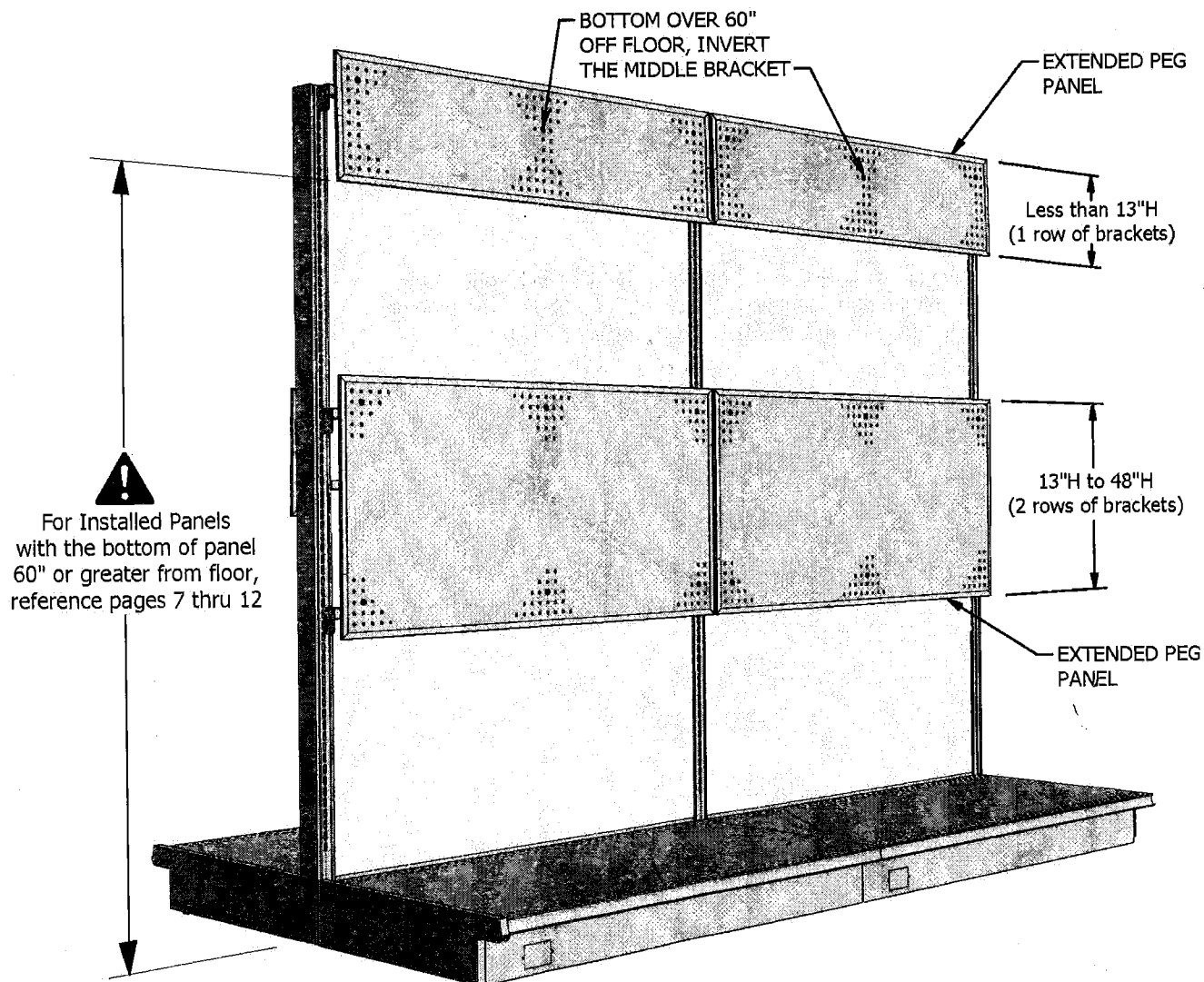
Extended Peg Panels 49" to 72".....Page 5

Extended Peg Panels 73" to 96".....Page 6

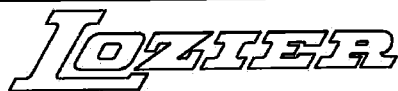
 Extended Peg Panels less than 13" (bottom of panel installed 60" above floor or higher).....Pages 7-8

 Extended Peg Panels 13" and greater (bottom of panel installed 60" above floor or higher).....Pages 9-12

Load Rating Info Page 13



REFER TO PAGE 5 FOR ILLUSTRATION OF BRACKET CONFIGURATION FOR PANELS FROM 49" THRU 72" HIGH
AND TO PAGE 6 FOR ILLUSTRATION OF BRACKET CONFIGURATION FOR PANELS FROM 73" THRU 96" HIGH



©2011 LOZIER CORPORATION

6336 PERSHING DRIVE
OMAHA, NEBRASKA 68110
(800) 228-9882

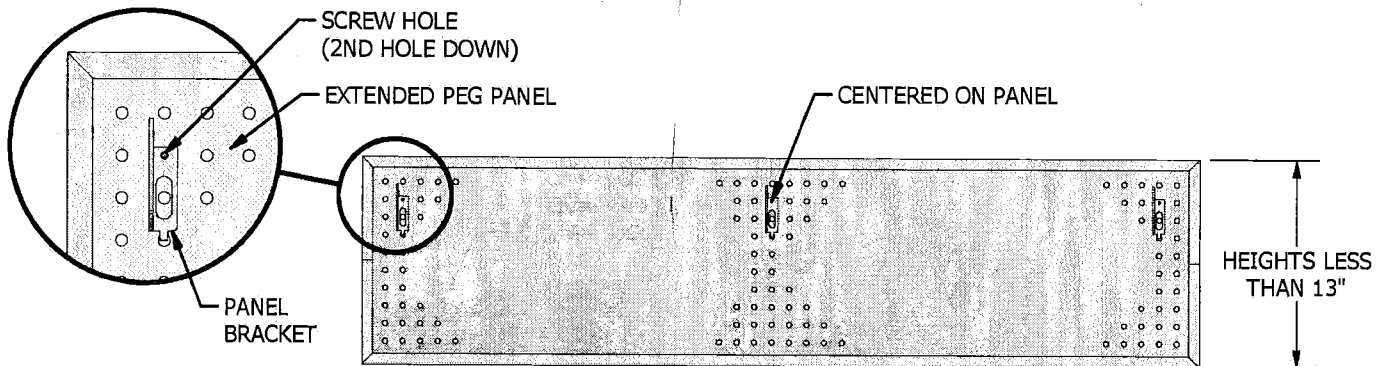
09-76 REV.G
PCO 71467 7/15/2013
PAGE 1 OF 13

INSTALLATION INSTRUCTIONS

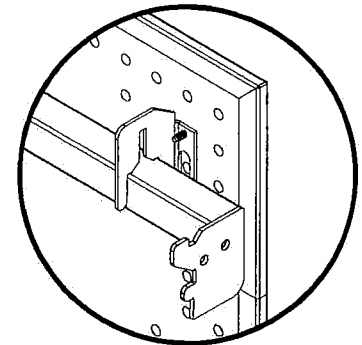
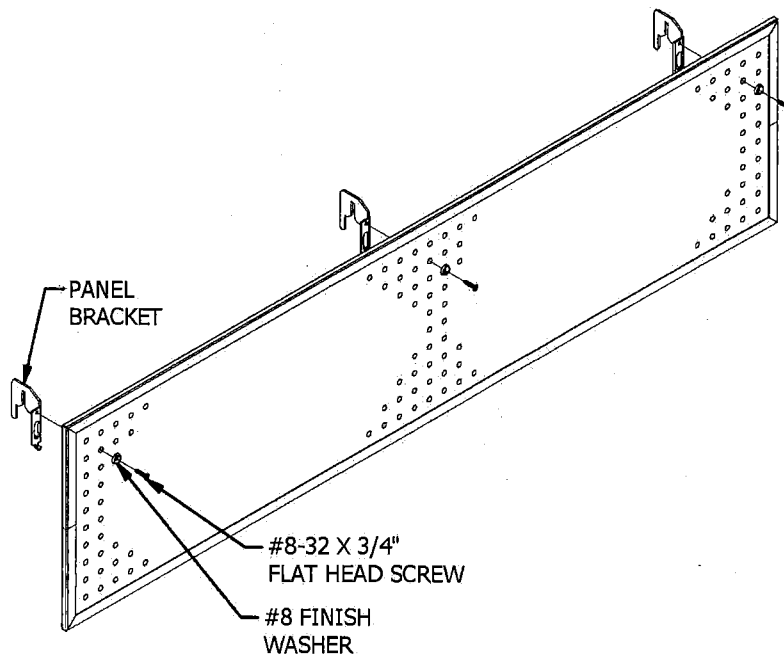
EXTENDED PEG PANEL HEIGHTS LESS THAN 13"

STEP 1: End panel brackets should screw into the 2nd hole from from each end and 2nd hole from the top. The center panel bracket should screw on centered on the panel in the 2nd row of holes from the top. The tab on the panel bracket will locate into the hole two rows below screw hole.

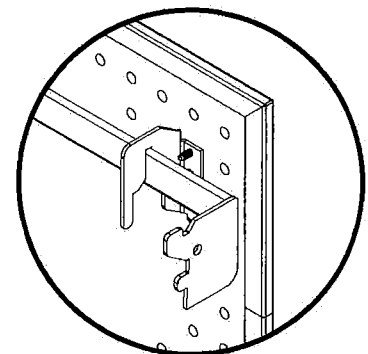
STEP 2: Attach using #8-32 X 3/4" flat head screws and #8 finish washers.



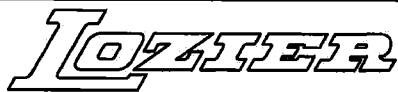
STEP 3: Install crosstube or crossbar into the upright at the desired height and position the extended peg panel with attached brackets over the tube or bar as shown in CROSSTUBE DETAIL and CROSSBAR DETAIL.



CROSSTUBE DETAIL



CROSSBAR DETAIL



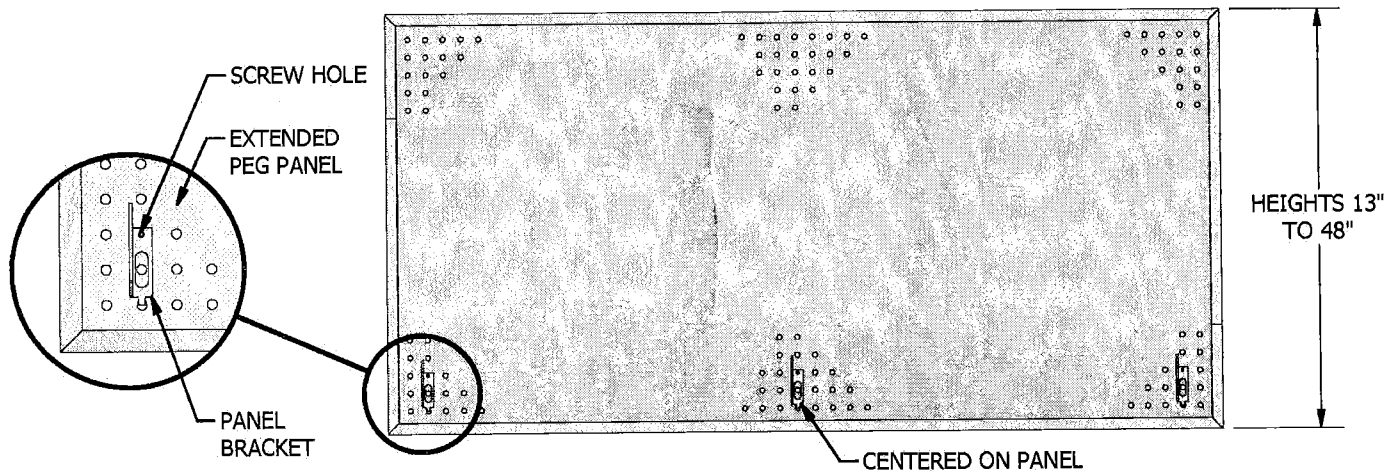
INSTALLATION INSTRUCTIONS

EXTENDED PEG PANEL

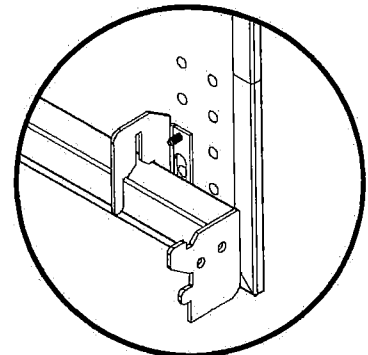
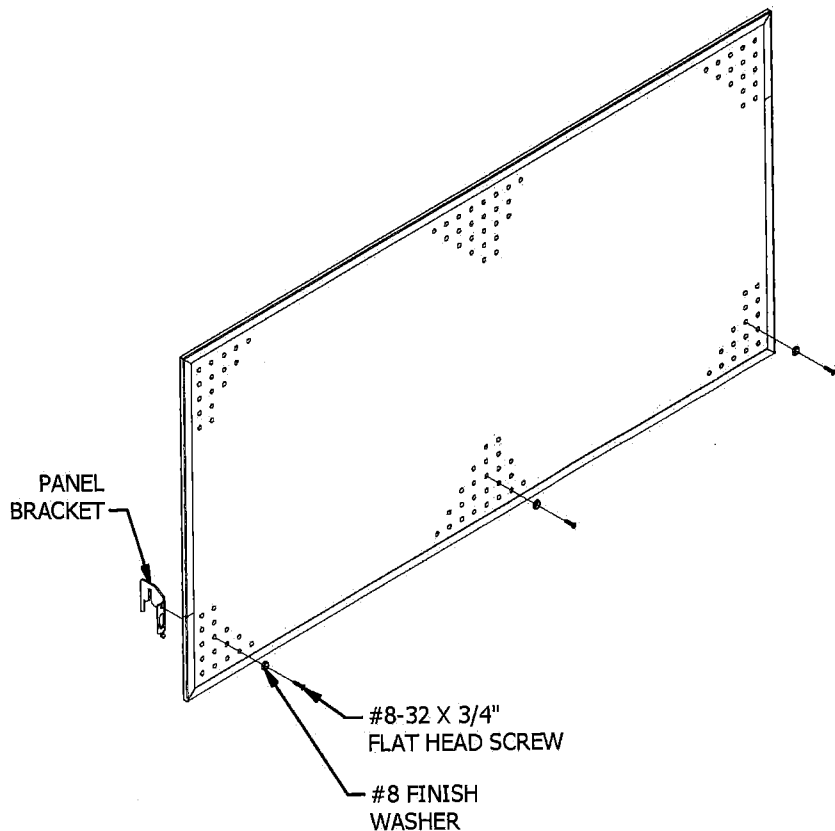
HEIGHTS 13" TO 48"

STEP 1: Attach the bottom row of panel brackets near the bottom third of the peg panel. End panel brackets should screw into the 2nd hole from from each end. The center panel bracket should be centered and in-line with end panel brackets. The tab on the panel bracket will locate into the hole two rows below screw hole.

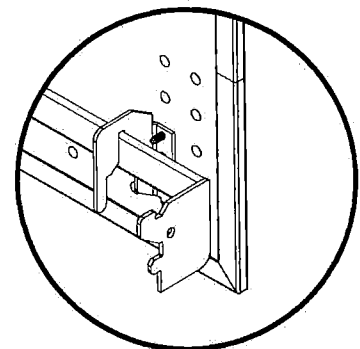
STEP 2: Attach using #8-32 X 3/4" flat head screws and #8 finish washers.



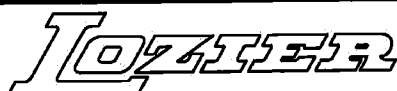
STEP 3: Install bottom crosstube or crossbar into the upright at the desired height and position the extended peg panel with attached brackets over the tube or bar as shown in CROSSTUBE DETAIL and CROSSBAR DETAIL.



CROSSTUBE DETAIL



CROSSBAR DETAIL



©2011 LOZIER CORPORATION

6336 PERSHING DRIVE
OMAHA, NEBRASKA 68110
(800) 228-9882

09-76 REV.G
PCO 71467 7/15/2013
PAGE 3 OF 13

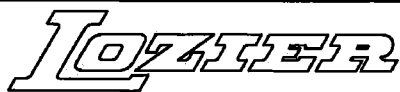
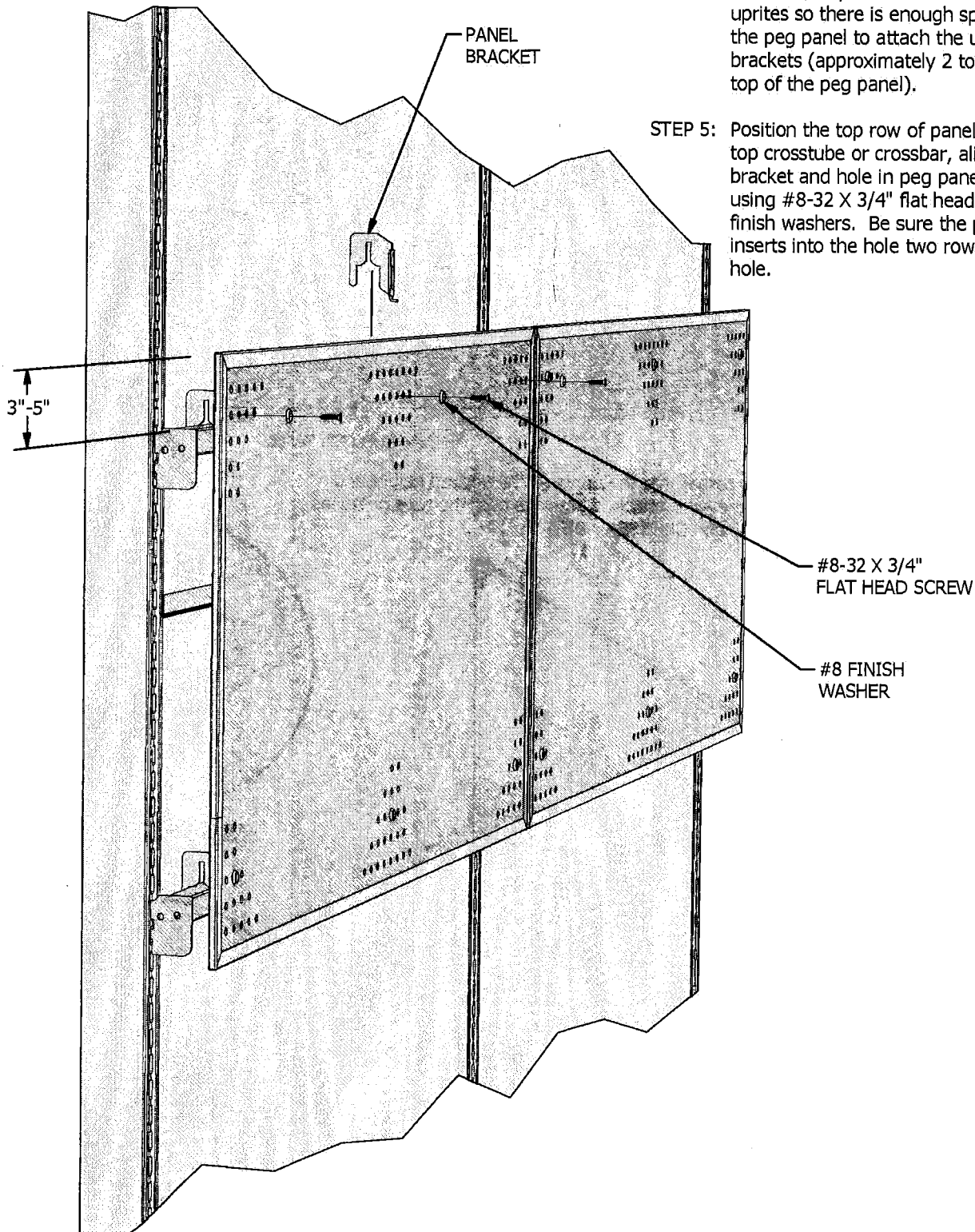
INSTALLATION INSTRUCTIONS

EXTENDED PEG PANEL

HEIGHTS 13" TO 48" (continued)

STEP 4: Install the top crosstube or crossbar into the uprights so there is enough space at the top of the peg panel to attach the upper row of panel brackets (approximately 2 to 4 holes from the top of the peg panel).

STEP 5: Position the top row of panel brackets over the top crosstube or crossbar, align hole in panel bracket and hole in peg panel and attach using #8-32 X 3/4" flat head screws and #8 finish washers. Be sure the panel bracket tab inserts into the hole two rows below screw hole.



©2011 LOZIER CORPORATION

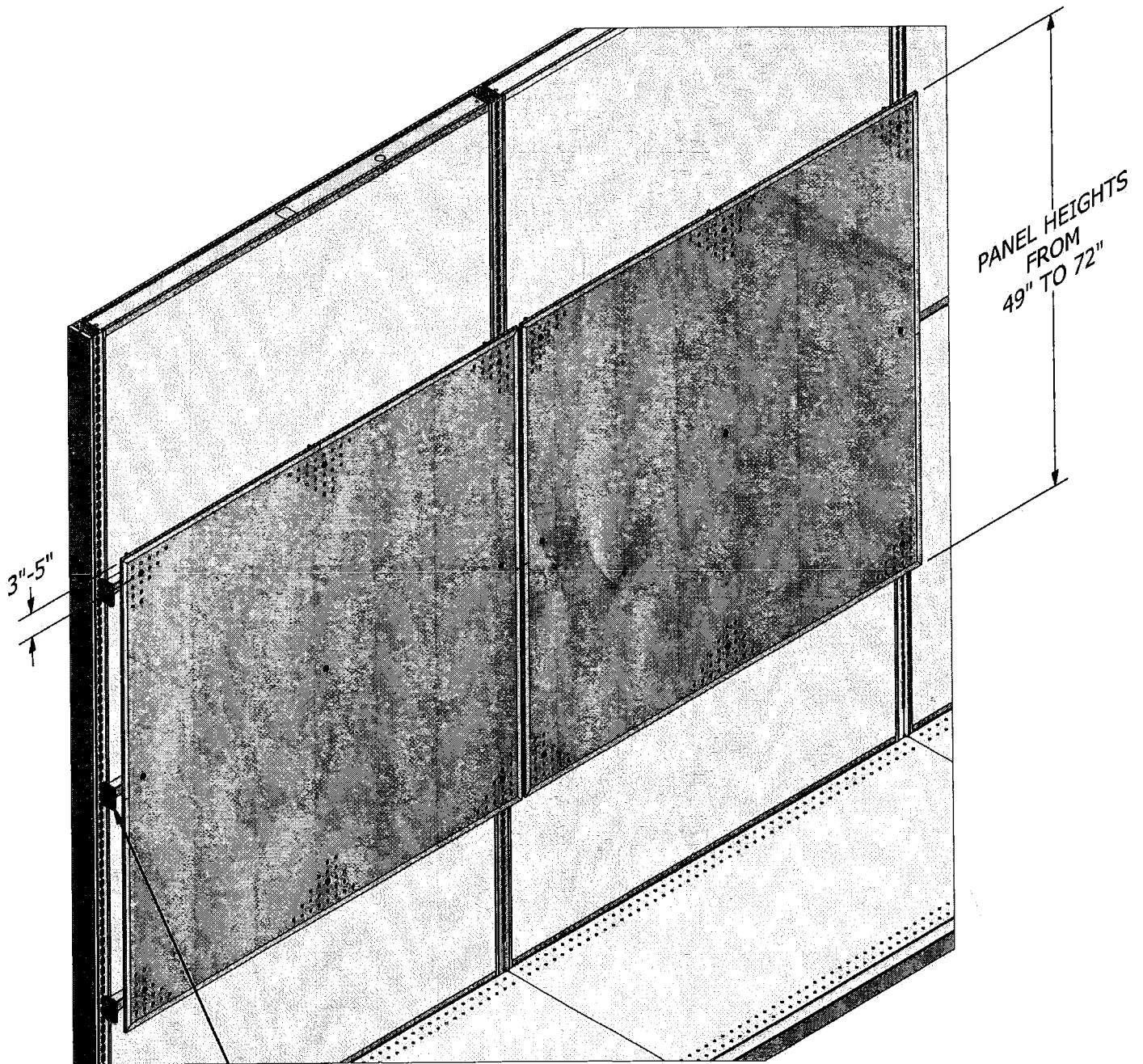
6336 PERSHING DRIVE
OMAHA, NEBRASKA 68110
(800) 228-9882

09-76 REV.G
PCO 71467 7/15/2013
PAGE 4 OF 13

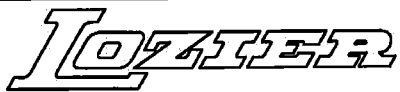
INSTALLATION INSTRUCTIONS

EXTENDED PEG PANEL

HEIGHTS 49" TO 72"



ADDITIONAL CROSS TUBE REQUIRED.
POSITION EQUAL DISTANCE BETWEEN
UPPER AND LOWER CROSS TUBE.



©2011 LOZIER CORPORATION

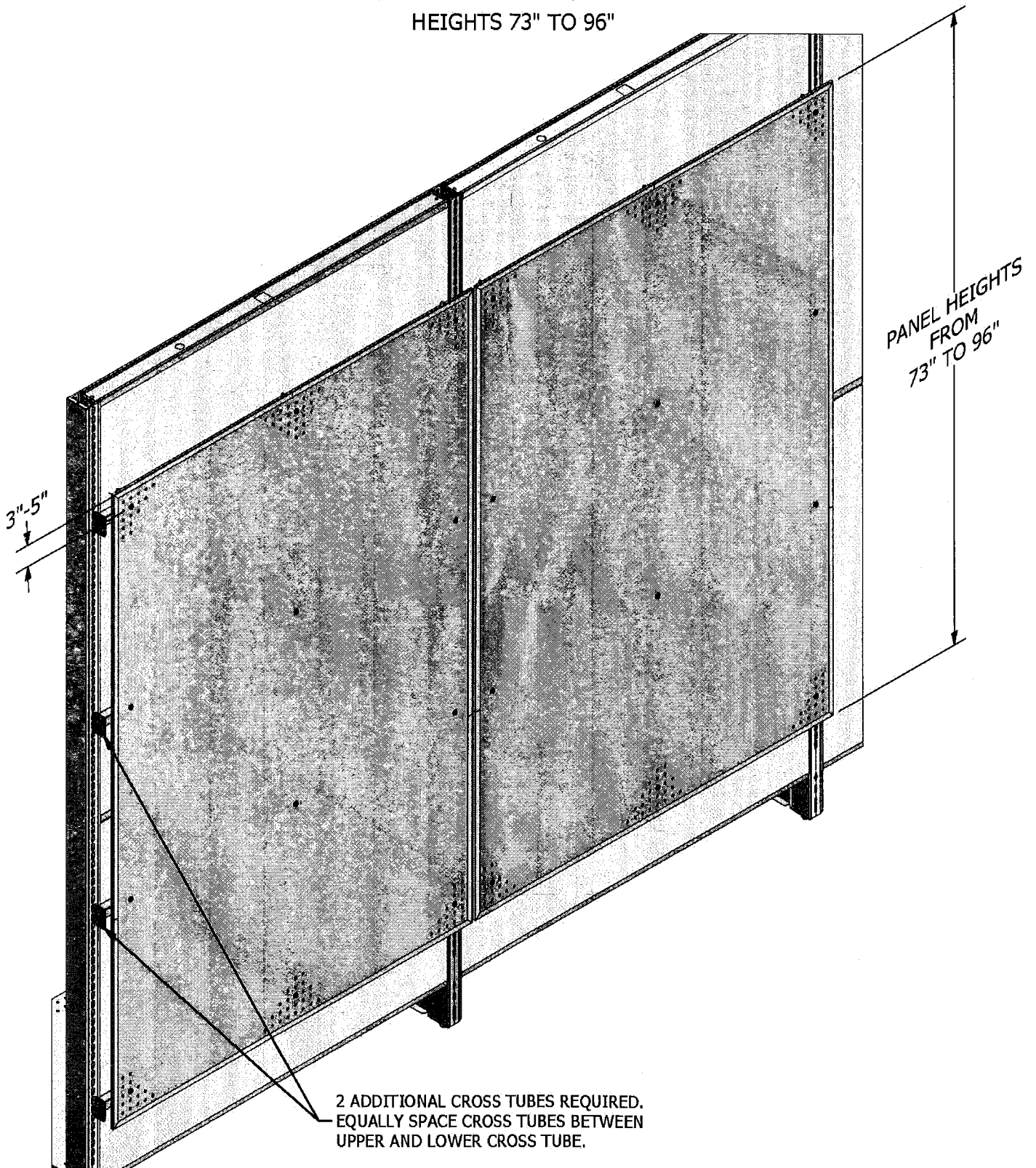
6336 PERSHING DRIVE
OMAHA, NEBRASKA 68110
(800) 228-9882

09-76 REV.G
PCO 71467 7/15/2013
PAGE 5 OF 13

INSTALLATION INSTRUCTIONS

EXTENDED PEG PANEL

HEIGHTS 73" TO 96"



Lozier

© 2011 LOZIER CORPORATION

6336 PERSHING DRIVE
OMAHA, NEBRASKA 68110
(800) 228-9882

09-76 REV.G
PCO 71467 7/15/2013
PAGE 6 OF 13

INSTALLATION INSTRUCTIONS

EXTENDED PEG PANEL

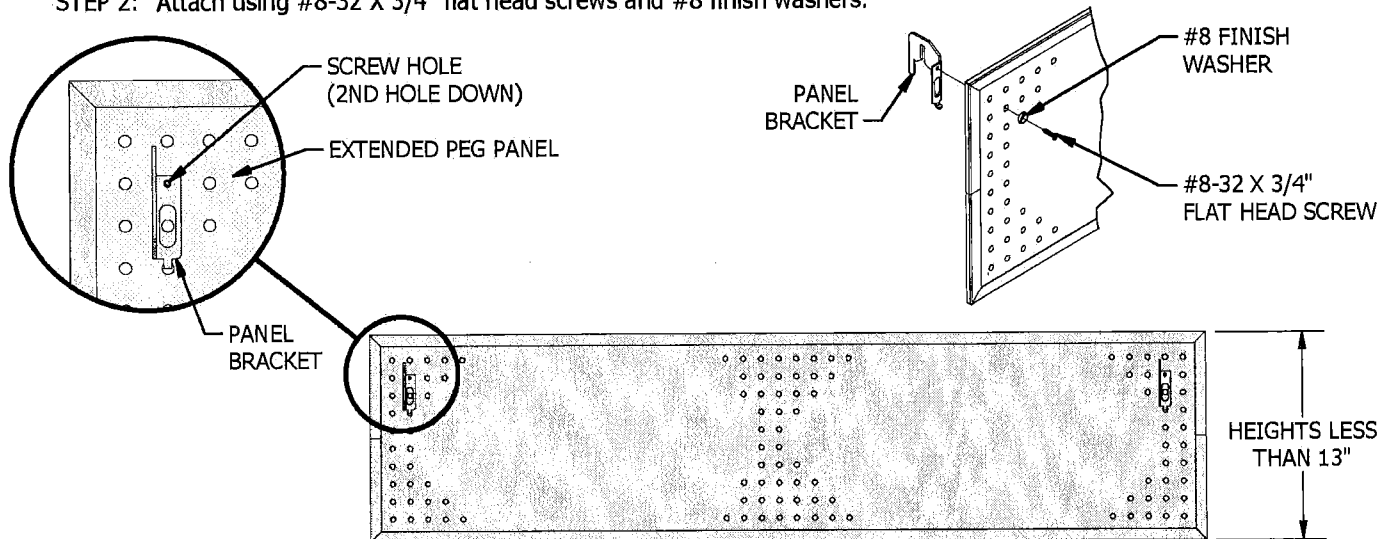
HEIGHTS LESS THAN 13", INSTALLED 60" ABOVE FLOOR OR HIGHER

IF INSTALLED IN CROSSTUBE:



STEP 1: End panel brackets should screw into the 2nd hole from from each end and 2nd hole from the top. The tab on the panel bracket will locate into the hole two rows below screw hole. Do not install center bracket at this time.

STEP 2: Attach using #8-32 X 3/4" flat head screws and #8 finish washers.

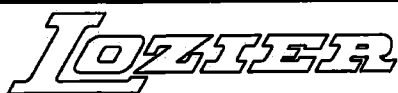
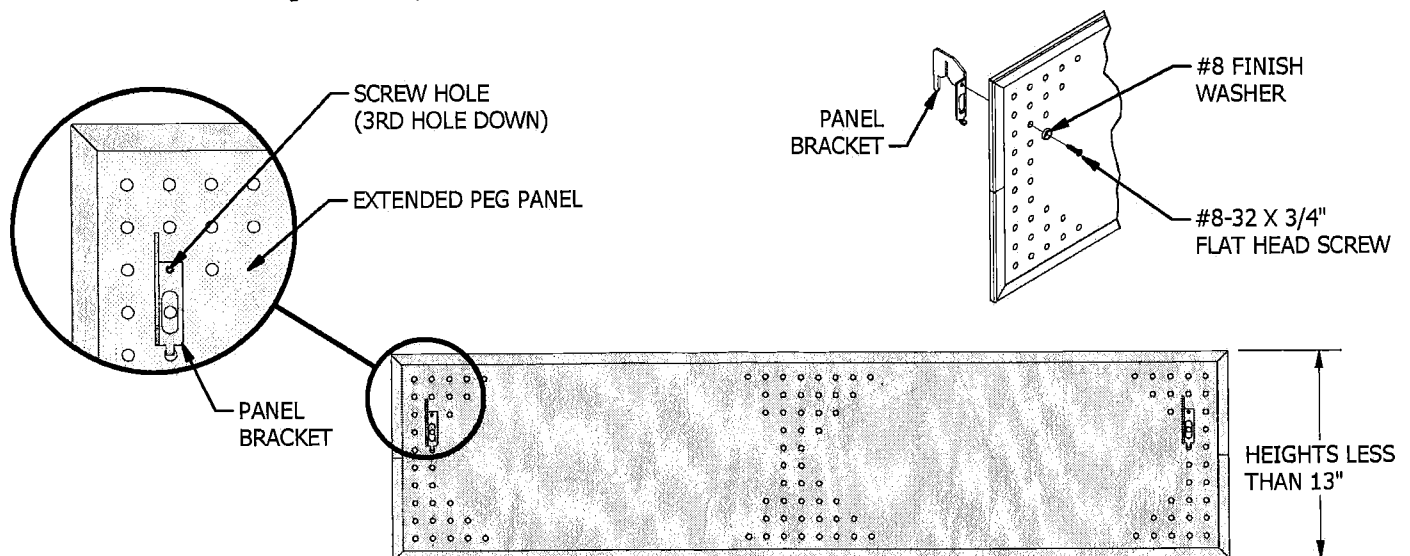


IF INSTALLED IN CROSSBAR:



STEP 1: End panel brackets should screw into the 2nd hole from from each end and **3rd** hole from the top. The tab on the panel bracket will locate into the hole two rows below screw hole. Do not install center bracket at this time.

STEP 2: Attach using #8-32 X 3/4" flat head screws and #8 finish washers.



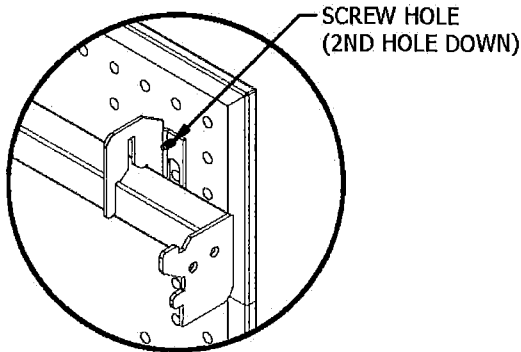
INSTALLATION INSTRUCTIONS

EXTENDED PEG PANEL

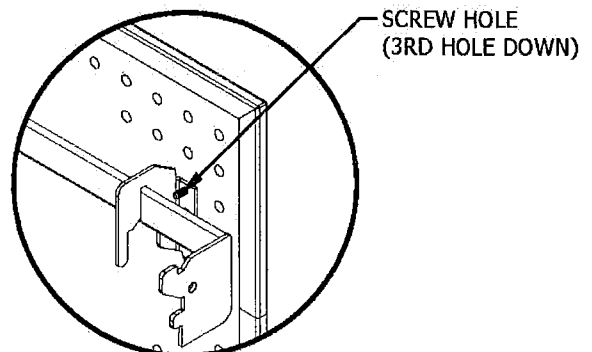
HEIGHTS LESS THAN 13", INSTALLED 60" ABOVE FLOOR OR HIGHER (continued)

CROSTUBE/CROSSBAR:

STEP 3: Install crosstube or crossbar into the uprite at the desired height and position the extended peg panel with attached brackets over the tube or bar as shown in CROSTUBE DETAIL and CROSSBAR DETAIL.



CROSTUBE DETAIL

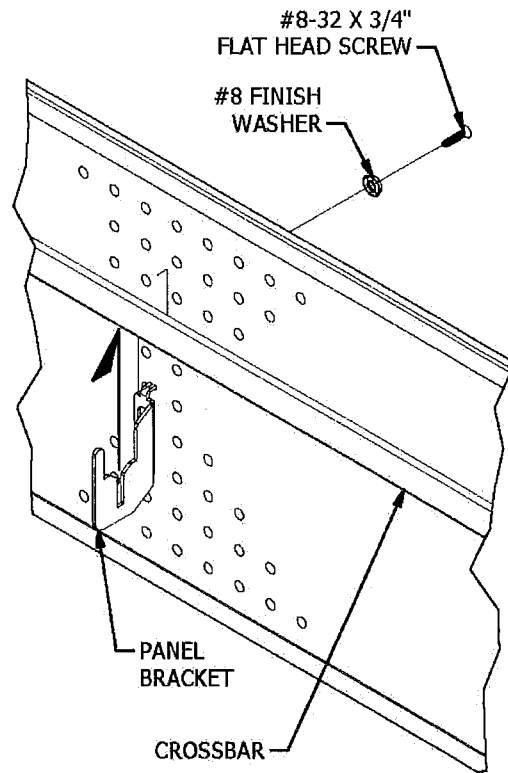
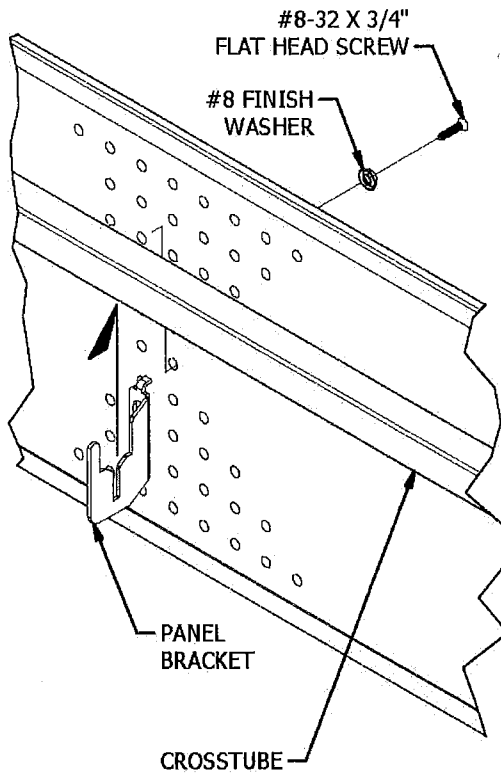


CROSSBAR DETAIL

STEP 4: The center panel bracket should be centered along panel. Install by pushing **inverted** panel bracket against bottom of crosstube or crossbar and inserting bracket tab into the hole 2 rows above screw hole.

⚠ Failure to do step 4 may result in dislodgement of panel which may cause personal injury.

STEP 5: Attach using #8-32 X 3/4" flat head screw and #8 finish washer.



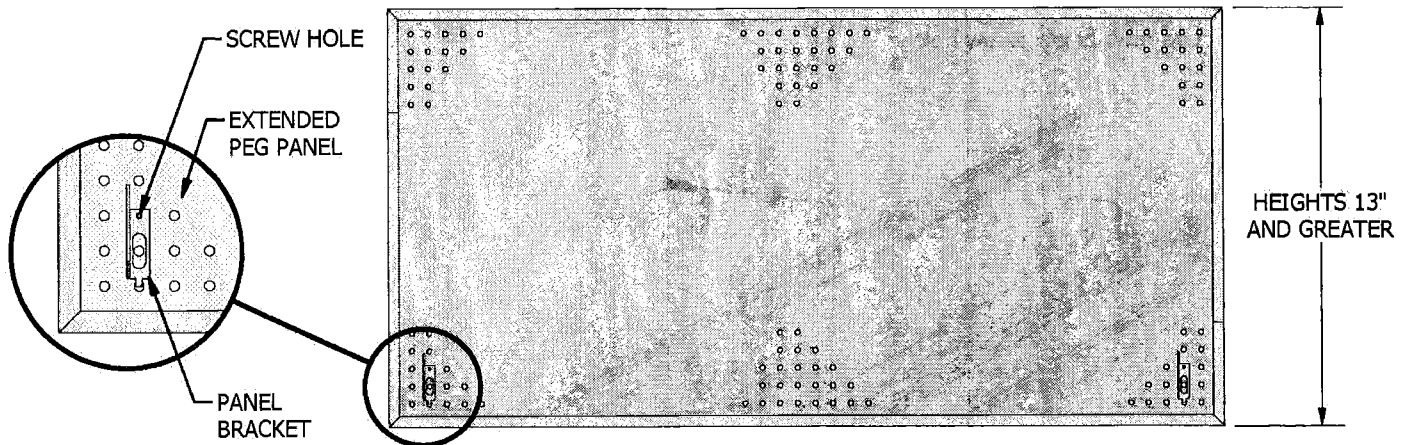
INSTALLATION INSTRUCTIONS

EXTENDED PEG PANEL

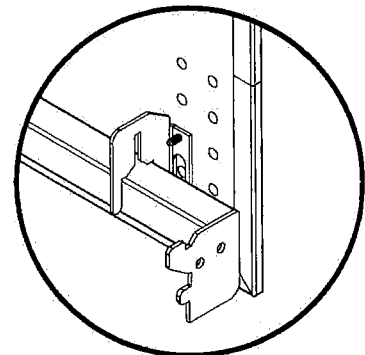
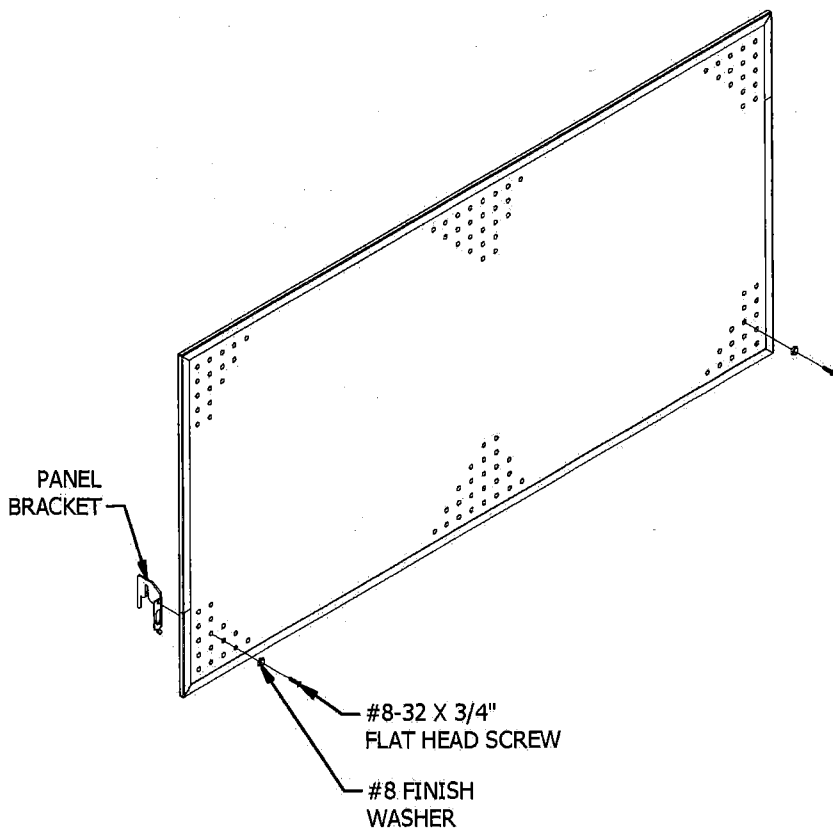
HEIGHTS 13" AND GREATER, INSTALLED 60" ABOVE FLOOR OR HIGHER

STEP 1: Attach the bottom row of panel brackets near the bottom third of the peg panel. End panel brackets should screw into the 2nd hole from from each end. The tab on the panel bracket will locate into the hole two rows below screw hole. Do not install bottom center bracket at this time.

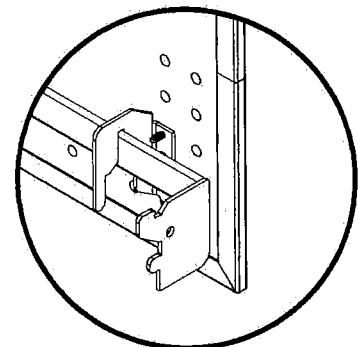
STEP 2: Attach using #8-32 X 3/4" flat head screws and #8 finish washers.



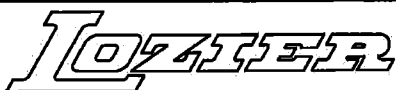
STEP 3: Install bottom crosstube or crossbar into the upright at the desired height and position the extended peg panel with attached brackets over the tube or bar as shown in CROSSTUBE DETAIL and CROSSBAR DETAIL.



CROSSTUBE DETAIL



CROSSBAR DETAIL



©2011 LOZIER CORPORATION

6336 PERSHING DRIVE
OMAHA, NEBRASKA 68110
(800) 228-9882

09-76 REV.G
PCO 71467 7/15/2013
PAGE 9 OF 13

INSTALLATION INSTRUCTIONS

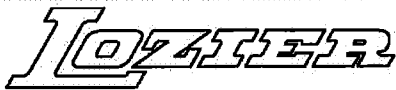
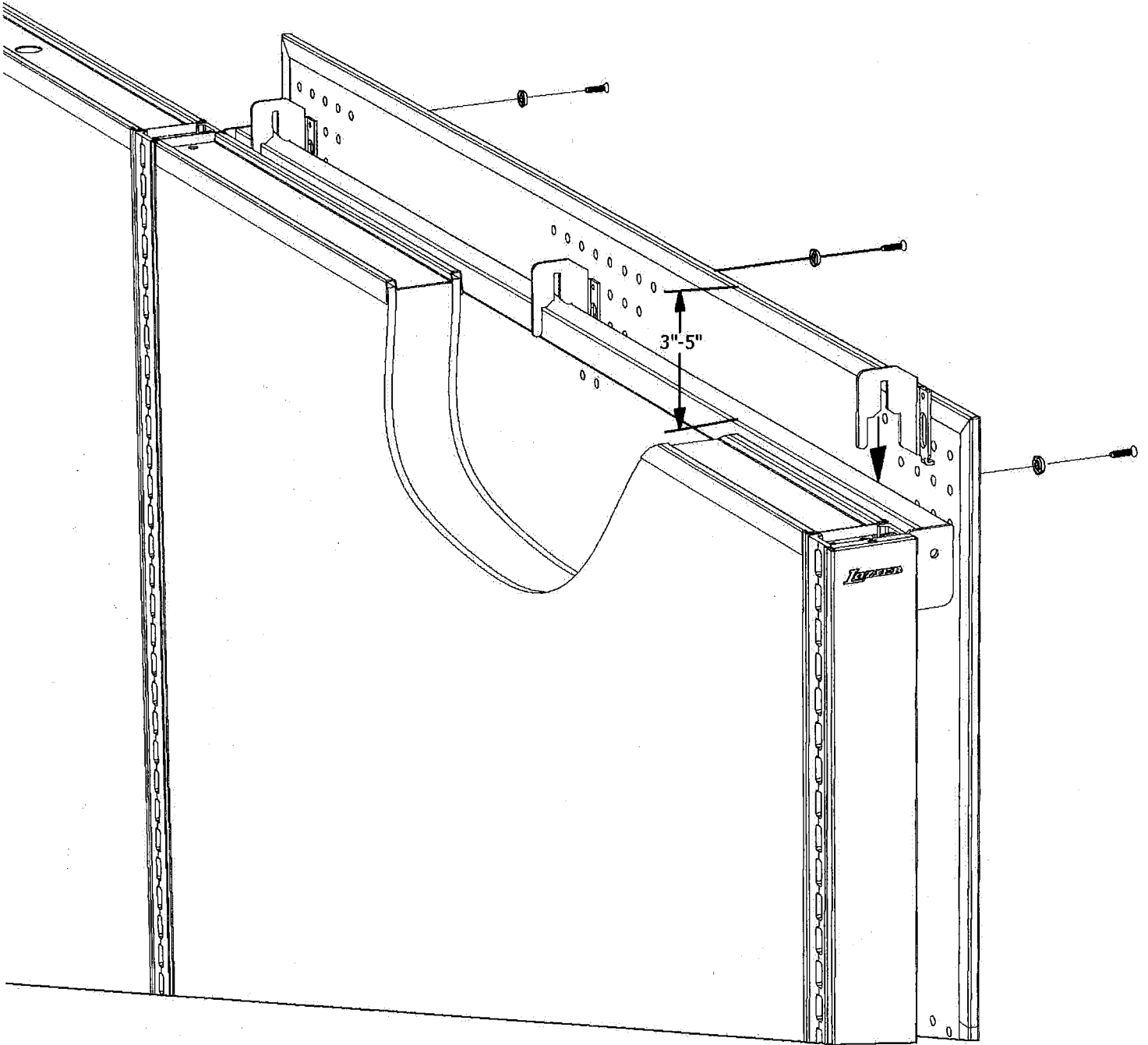
EXTENDED PEG PANEL

HEIGHTS 13" AND GREATER, INSTALLED 60" ABOVE FLOOR OR HIGHER (continued)

IF INSTALLED IN CROSSTUBE:

STEP 4: Install the top crosstube into the uprights so there is enough space at the top of the peg panel to attach the upper row of panel brackets (approximately 2 to 4 holes from the top of the peg panel).

STEP 5: Position the (3) panel brackets over the top crosstube, align hole in panel bracket and hole in peg panel and attach using #8-32 X 3/4" flat head screws and #8 finish washers. Be sure the panel bracket tab inserts into the hole two rows below screw hole.



©2011 LOZIER CORPORATION

6336 PERSHING DRIVE
OMAHA, NEBRASKA 68110
(800) 228-9882

09-76 REV.G
PCO 71467 7/15/2013
PAGE 10 OF 13

INSTALLATION INSTRUCTIONS

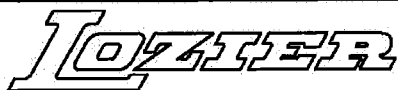
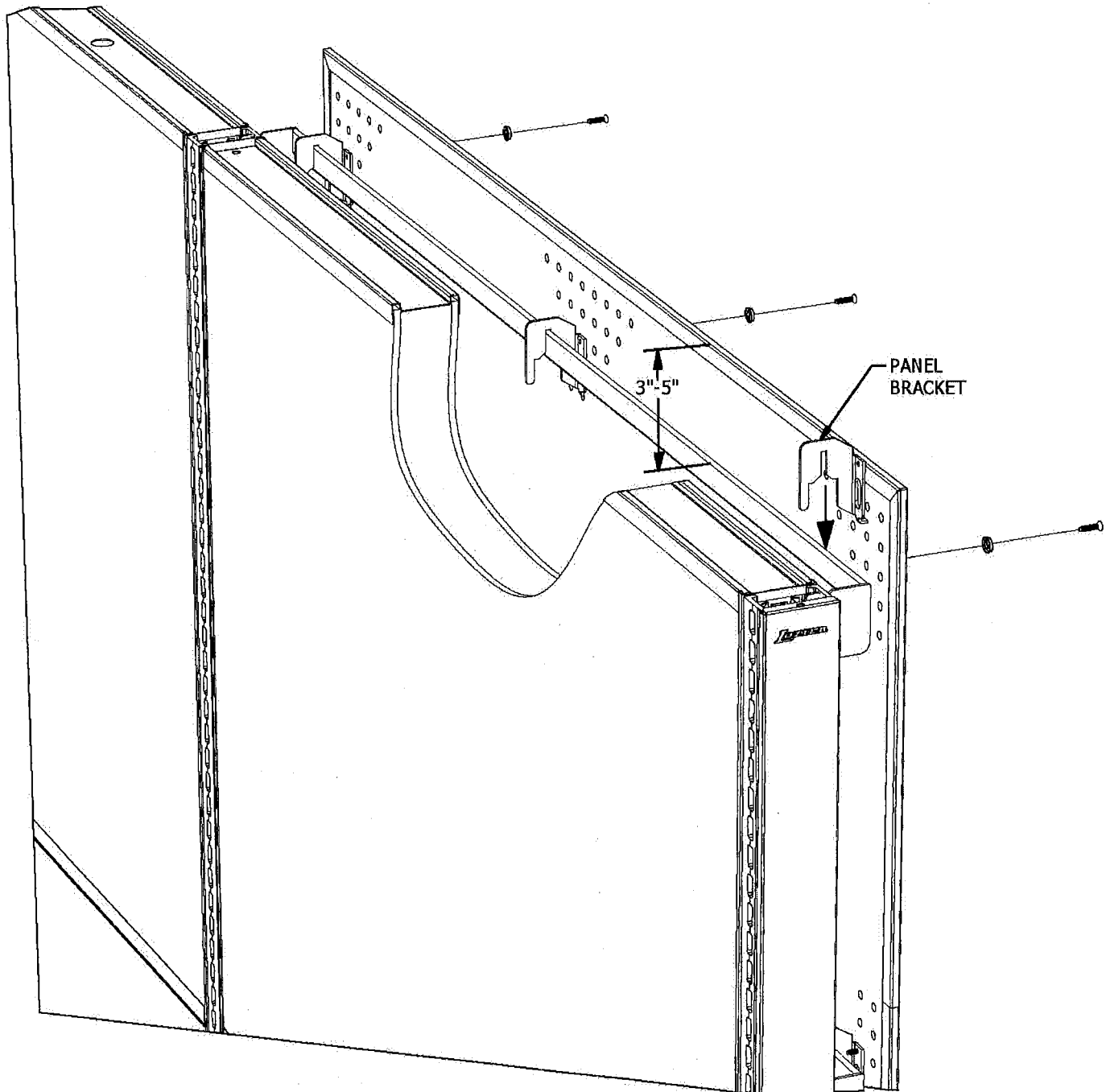
EXTENDED PEG PANEL

HEIGHTS 13" AND GREATER, INSTALLED 60" ABOVE FLOOR OR HIGHER (continued)

IF INSTALLED IN CROSSBAR:

STEP 4: Install the top crossbar into the uprights so there is enough space at the top of the peg panel to attach the upper row of panel brackets (approximately 2 to 4 holes from the top of the peg panel).

STEP 5: Position the (3) panel brackets over the top crossbar, align hole in panel bracket and hole in peg panel and attach using #8-32 X 3/4" flat head screws and #8 finish washers. Be sure the panel bracket tab inserts into the hole two rows below screw hole.



© 2011 LOZIER CORPORATION

6336 PERSHING DRIVE
OMAHA, NEBRASKA 68110
(800) 228-9882

09-76 REV.G
PCO 71467 7/15/2013
PAGE 11 OF 13

INSTALLATION INSTRUCTIONS

EXTENDED PEG PANEL

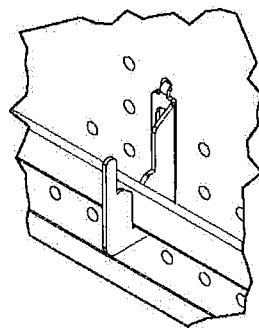
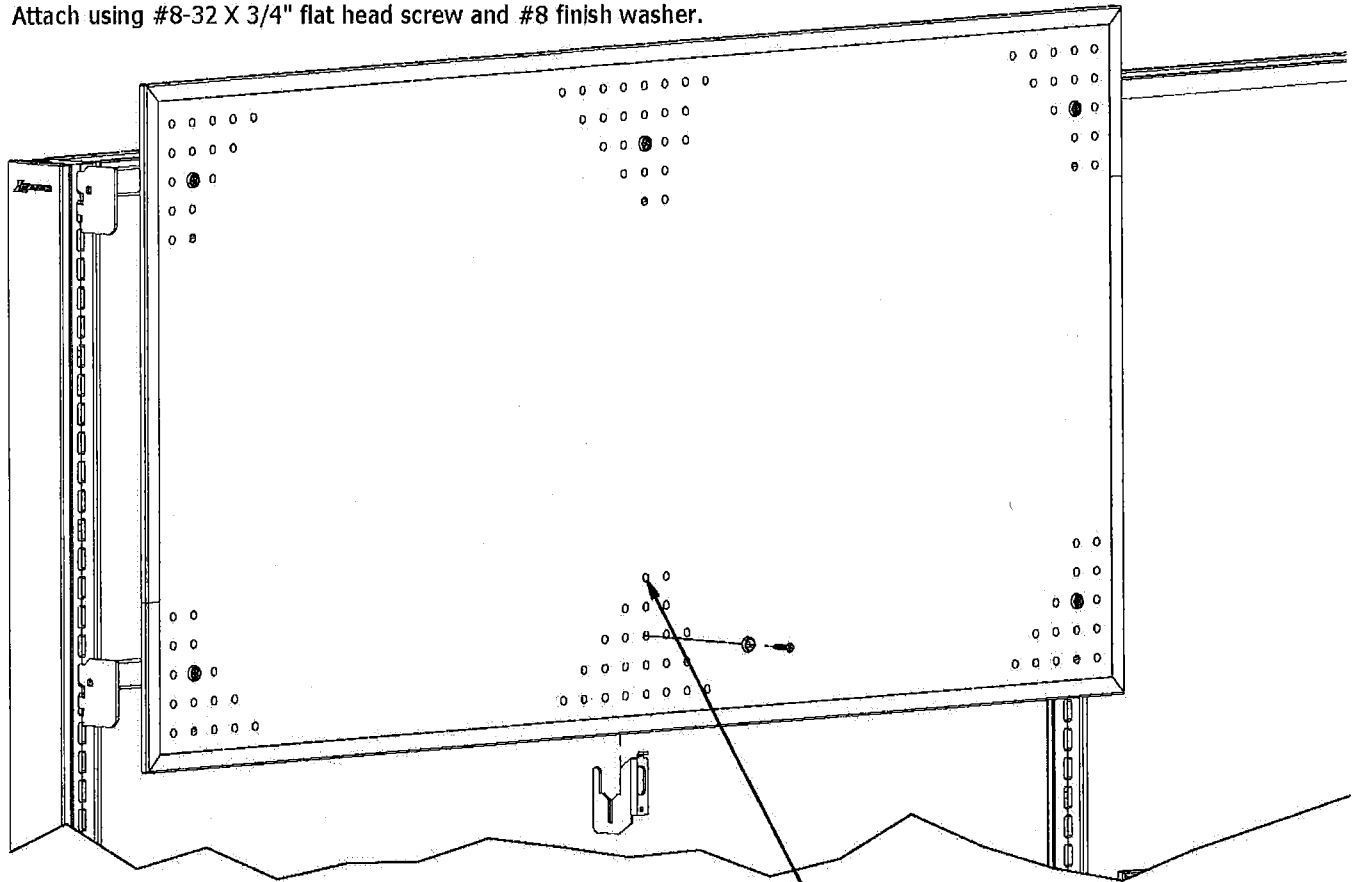
HEIGHTS 13" AND GREATER, INSTALLED 60" ABOVE FLOOR OR HIGHER (continued)

IF CROSSTUBE OR CROSSBAR:

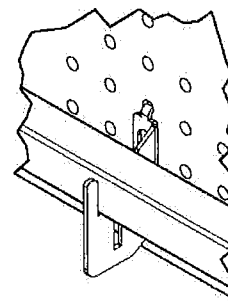
STEP 6: The bottom center panel bracket should be centered along bottom of panel. Install by pushing **inverted** panel bracket against bottom of crosstube or crossbar and inserting bracket tab into the hole 2 rows above screw hole.

! Failure to do step 6 may result in dislodgement of panel which may cause personal injury.

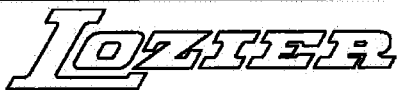
STEP 7: Attach using #8-32 X 3/4" flat head screw and #8 finish washer.



VIEW FROM REAR
CROSSBAR



VIEW FROM REAR
CROSSTUBE



INSTALLATION INSTRUCTIONS

EXTENDED PEG PANEL



EXTENDED PEG LOAD RATINGS:

Extended Peg Panels less than 13" are rated at 25 lbs.

Extended Peg Panels 13" or greater are rated at 15 lbs/square foot, when using cross tubes 18" deep or less.

Load Rating is reduced to 10 lbs/square foot when using cross tubes deeper than 18".

Load Rating remains same when using LXB Bars, however panel will bow when loaded.

IE. XPA424 is calculated as follows:

4' x 2' x 15 lbs/square foot

XPA424 capacity = 120 lbs

