



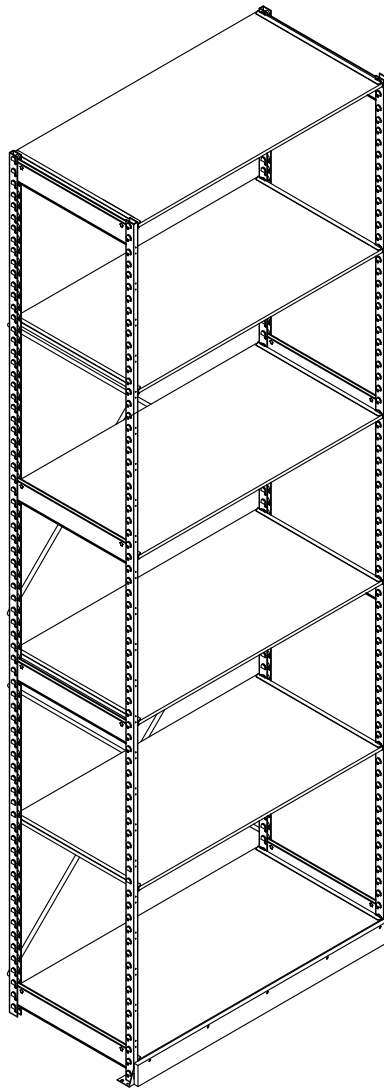
MERCHANDISING EQUIPMENT GROUP, LLC

# SHELF-SPACE®

ASSEMBLY INSTRUCTIONS

FOR

## XXXX99-BKROOM



MERCHANDISING EQUIPMENT GROUP, LLC  
CAMBRIDGE CITY, INDIANA  
CUSTOMER SERVICE 1-800-645-3315

DATE: 7/3/07 REV. F

**ALL STAND ALONE SHELVING SECTIONS REQUIRE A X-BRACE OR X-BRACES! IF SHELVING IS IN A RUN, THEN FOLLOW THE STEPS BELOW.**

1. WHILE ONE PERSON HOLDS THE UPRIGHT FRAMES, A SECOND PERSON SHOULD INSTALL AN X-BRACE (XB). (SEE FIGURE 1) START AT THE 2ND SET OF HOLES FROM THE FLOOR AND PUT A SCREW THERE, SEE CHART FOR LOCATION OF OTHER SCREWS. THIS SHOULD BE THE SAME ON THE OTHER UPRIGHT.

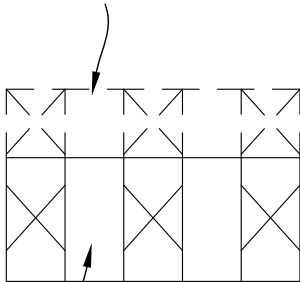
**WARNING: UPRIGHT HOLES ARE IN PAIRS. MAKE SURE TO ALWAYS USE BOTTOM HOLES FOR TOP AND BOTTOM OF X-BRACES. ANY OTHER WAY WILL NOT WORK PROPERLY AND WILL CAUSE STRUCTURAL ISSUES, MAKING IT DIFFICULT OR IMPOSSIBLE TO INSTALL SHELVES...!!! (SEE FIGURE 1)**

2. FOLLOW THE CHART FOR NEXT X-BRACE (XB) LOCATION. IF ANOTHER X-BRACE (XB) IS NEEDED, FOLLOW STEP ONE.

ONE (1) X-BRACE EVERY OTHER SECTION TO 114" HIGH. UNITS OVER 114" HIGH REQUIRE TWO (2) X-BRACES EVERY OTHER SECTION.

A HEIGHT	B DIM	C DIM	D DIM	NO. OF X-BRACES
36"	1 13/16"	30"	-	1
48"	1 13/16"	30"	-	1
60"	7 13/16"	48"	-	1
72"	7 13/16"	48"	-	1
84"	7 13/16"	48"	-	1
96"	7 13/16"	48"	-	1
102"	7 13/16"	48"	-	1
108"	7 13/16"	48"	-	1
120"	7 13/16"	48"	12"	2
132"	7 13/16"	48"	12"	2
144"	7 13/16"	48"	12"	2
156"	7 13/16"	48"	12"	2
168"	7 13/16"	48"	12"	2
180"	7 13/16"	48"	12"	2
192"	7 13/16"	48"	12"	2

**ONE (1) X-BRACE (XB) CONSISTS OF TWO (2) BRACE ARMS (BA)**



X-BRACING FOR UNITS 120" OR ABOVE TYP.(2)

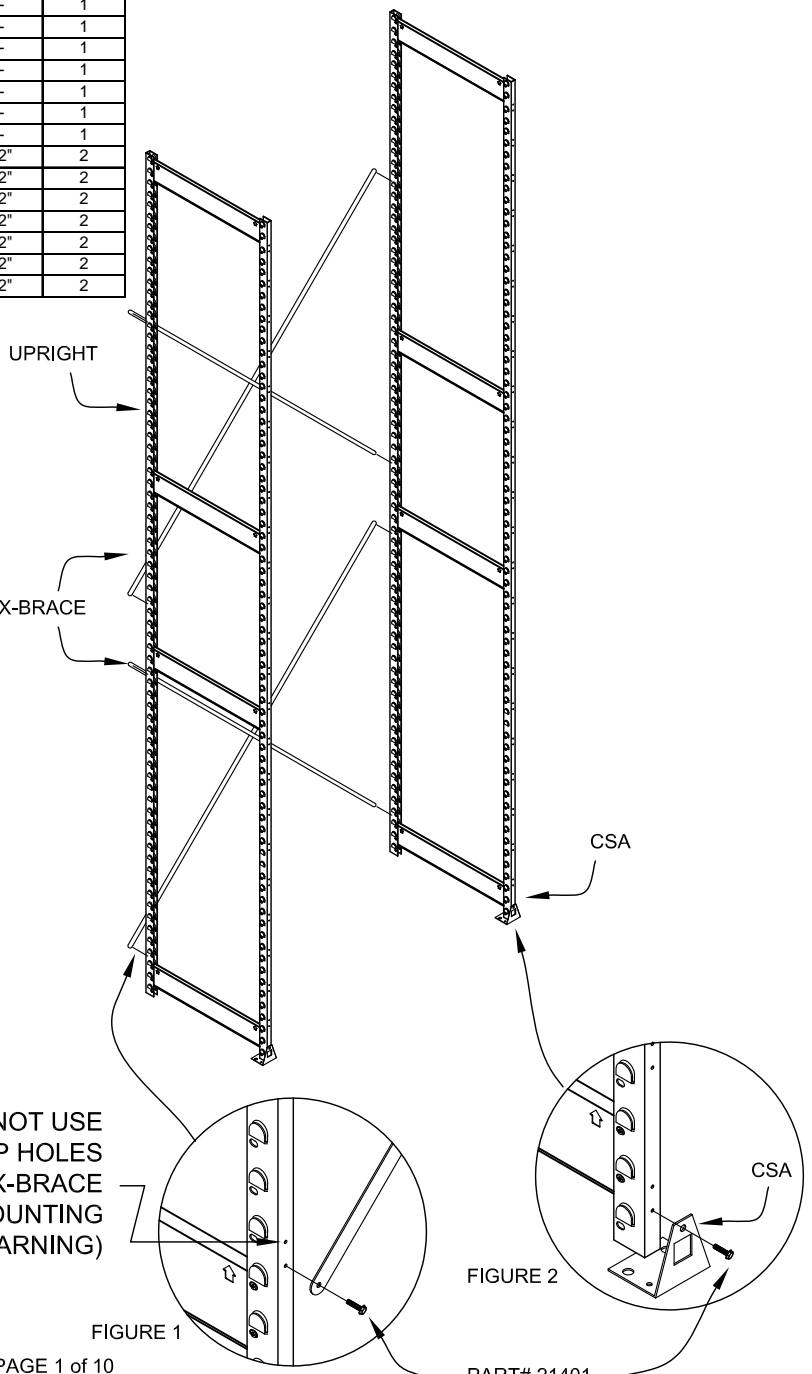
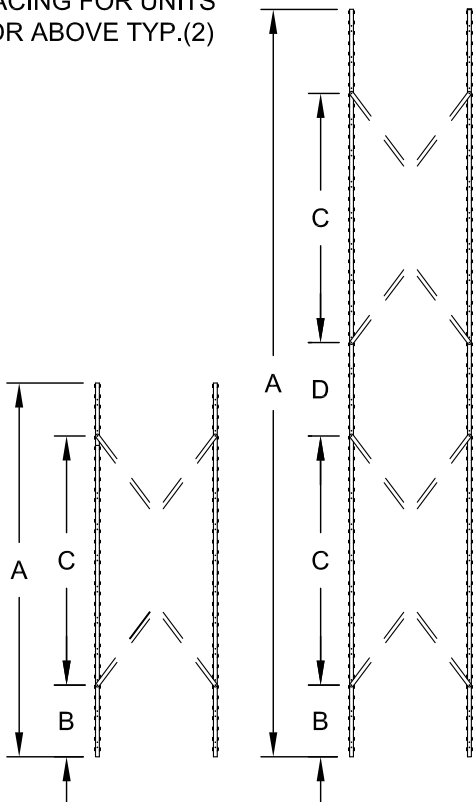


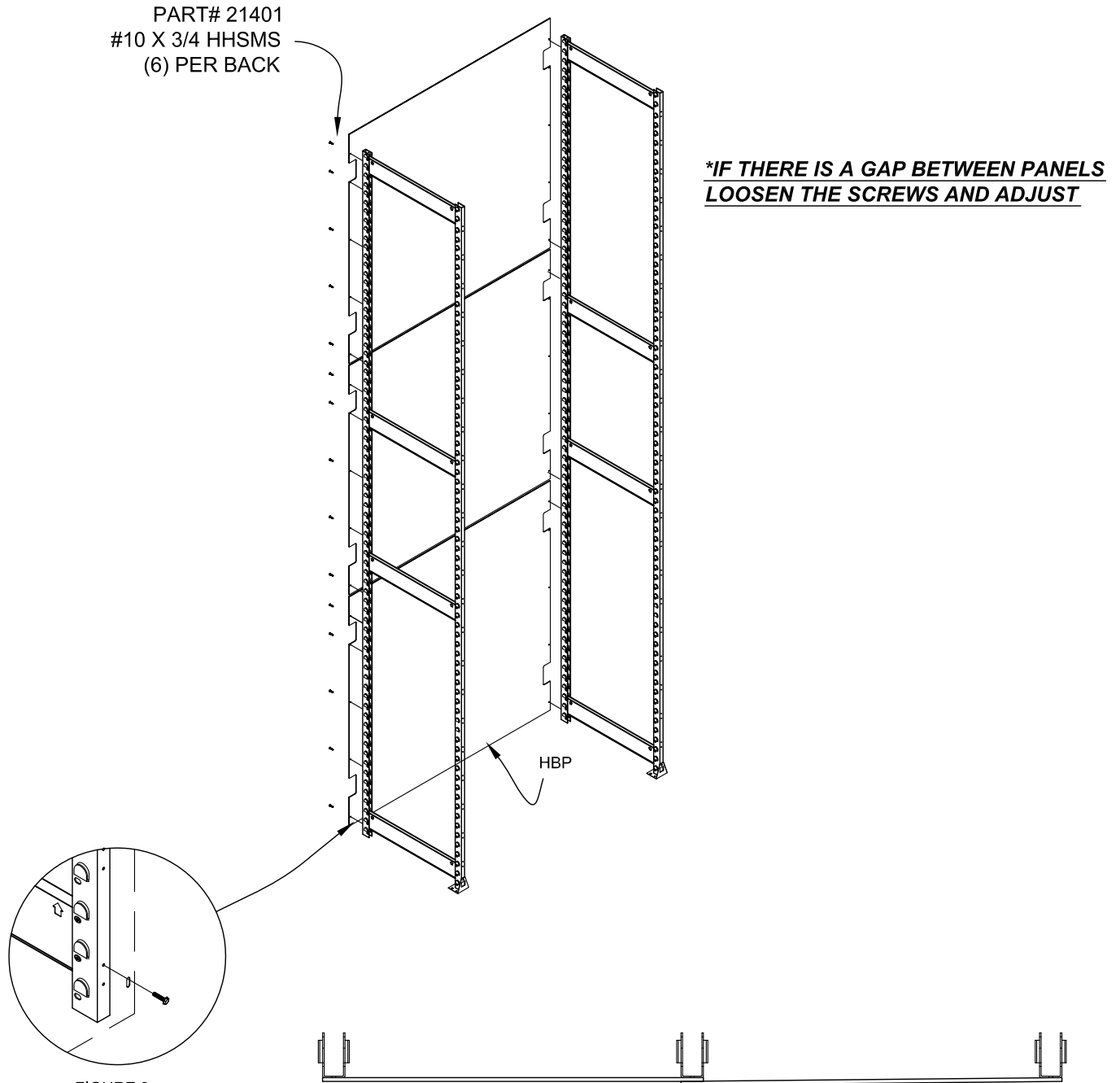
FIGURE 1

FIGURE 2

## HBP (HARDBOARD BACK PANEL)

1. WHILE ONE PERSON HOLDS THE UPRIGHT FRAMES, A SECOND PERSON SHOULD INSTALL A HARDBOARD BACK PANEL (HBP). HBPs COME PRE DRILLED JUST USE THE HOLES PROVIDED TO SECURE THE HBP TO THE UPRIGHTS. (FIGURE 3)

NOTE: ALL HARDBOARD BACKS (HBP) ARE SHIPPED AT FULL WIDTH. BACKS IN CENTER UPRIGHTS ARE OVERLAPPED PER (FIGURE #4) BELOW.

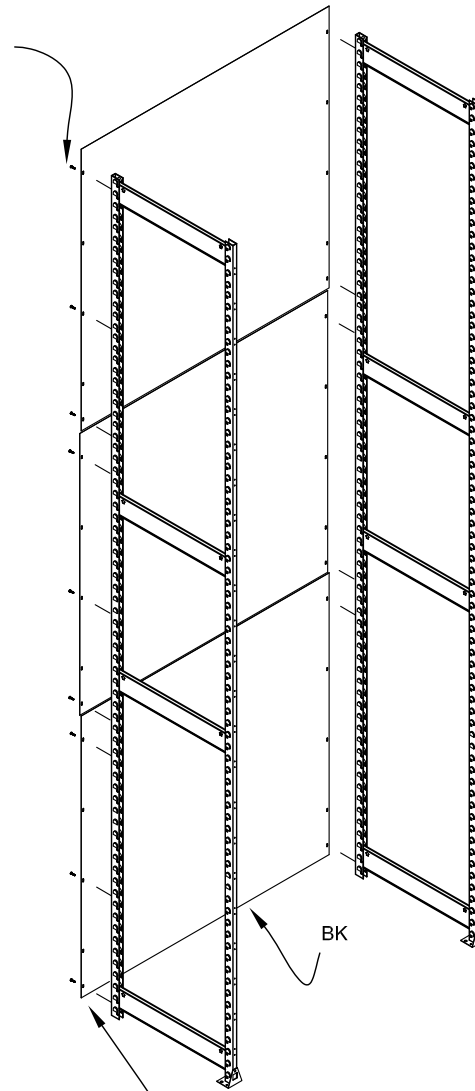


## BKM (BACK PANEL METAL)

1. WHILE ONE PERSON HOLDS THE UPRIGHT FRAMES, A SECOND PERSON SHOULD INSTALL A BACK PANEL (BK). (SEE FIGURE 1) START AT THE 2nd HOLE FROM THE FLOOR AND PUT A SCREW THERE, THIS SHOULD BE THE SAME ON THE OTHER UPRIGHT. (FIGURE 3)
2. NEXT SKIP A SLOT AND PUT IN ANOTHER SCREW, THIS SHOULD BE THE SAME ON THE OTHER UPRIGHT.
3. LAST SKIP A SLOT AND PUT IN THE LAST SCREW, THIS SHOULD BE THE SAME ON THE OTHER UPRIGHT.
4. FOLLOW STEPS 1 THROUGH 3 UNTIL YOU REACH YOUR DESIRED HEIGHT.

NOTE: ALL METAL BACKS (BK) ARE SHIPPED 48" IN HEIGHT. WHEN INSTALLING ON UNITS THAT DO NOT USE FULL MULTIPLES OF 48", INSTALLER SHOULD OVERLAP THE TOP BACK OVER THE ONE BELOW.

PART# 21401  
#10 X 3/4 HHSMS  
(6) PER BACK



**\*IF THERE IS A GAP BETWEEN PANELS  
LOOSEN THE SCREWS AND ADJUST**

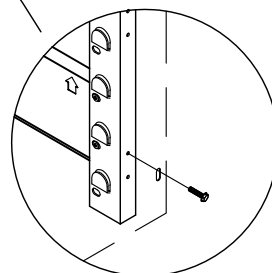


FIGURE 3

## KICKPLATE & CSA

1. TO INSTALL THE (KP, KPS) KICKPLATE YOU NEED TO LINE UP THE SLOTS ON THE KICKPLATE WITH THE FIRST SET OF HOLES ON THE UPRIGHT,(FIGURE 4) THEN ATTACH THE CSA WITH HARDWARE PROVIDED.
2. TO INSTALL (KPW) KICKPLATE YOU NEED TO DO THIS AFTER YOU HAVE INSTALLED THE BOTTOM SHELF AND CSA (FIGURE 5)
3. INSTALL THE CSA TO THE FRONT OF THE UPRIGHT (WHERE REQUIRED) WITH THE #10X3/4 HX HD SCREW THAT IS PROVIDED. (FIGURE 6) FASTEN TO FLOOR WITH APPROPRIATE FASTENER PER LOCAL CODES (NOT FURNISHED BY M.E.G.) IF (KP) KICKPLATE OR (KPS) KICKPLATE ARE USED THEY MUST BE INSTALLED BEFORE CSA. (FIGURE 4)

NOTE: *PS & PYS SHELVES TAKE (KP) KICKPLATE*  
*PYS SHELVES TAKE (KPW) KICKPLATE*  
*KBS SHELVES TAKE (KPS) KICKPLATE*

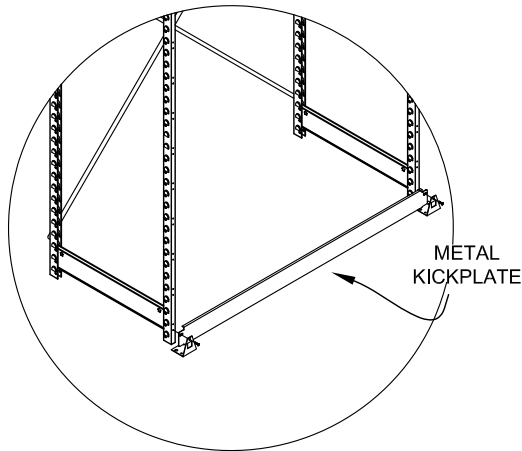
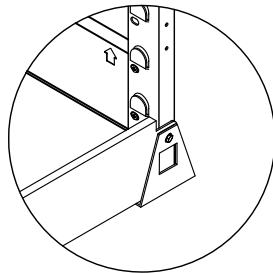


FIGURE 4



CSA INSTALLATION COMPLETE

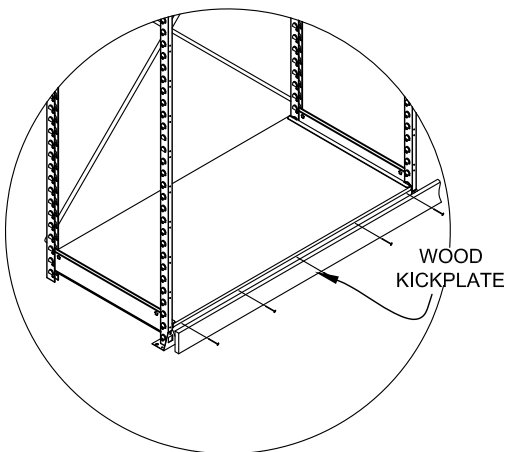
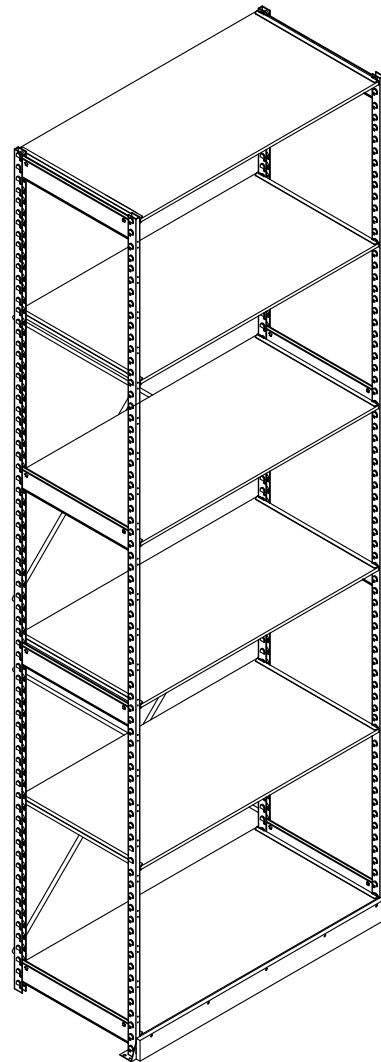


FIGURE 5



## PARTICLEBOARD SHELVES

1. INSTALL THE SHELF BY PUTTING THE SHELF LOOP OVER THE LANCE AS SHOWN (FIGURE 6) AND PUSH DOWN UNTIL THE LOOP IS FULLY SEATED BOTH FRONT AND REAR AT EACH END OF SHELF. (FIGURE 6)
2. POSITION OTHER SHELVES ACCORDING TO PROFILES.

MEG	<b>NOTICE</b>	MEG
MAXIMUM LOADS		
SECTION	SHELF	
2000 LB.	500 LB.	
<small>Including Above/Below Deck</small>	<small>300 lb. On 12" Shelves Evenly Distributed</small>	
<small>DO NOT USE FOR A STEP, HAND-HOLD OR LADDER REFER TO ASSEMBLY INSTRUCTIONS FOR PROPER INSTALLATION</small>		
<small>STICKER PART #: 1362680-1</small>		

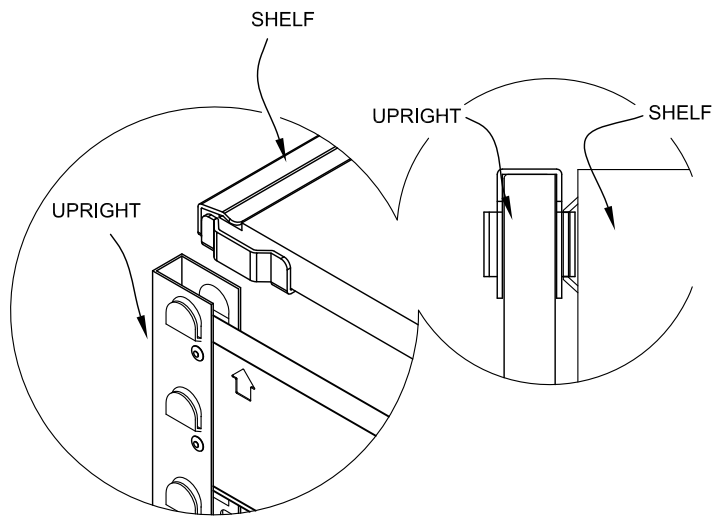
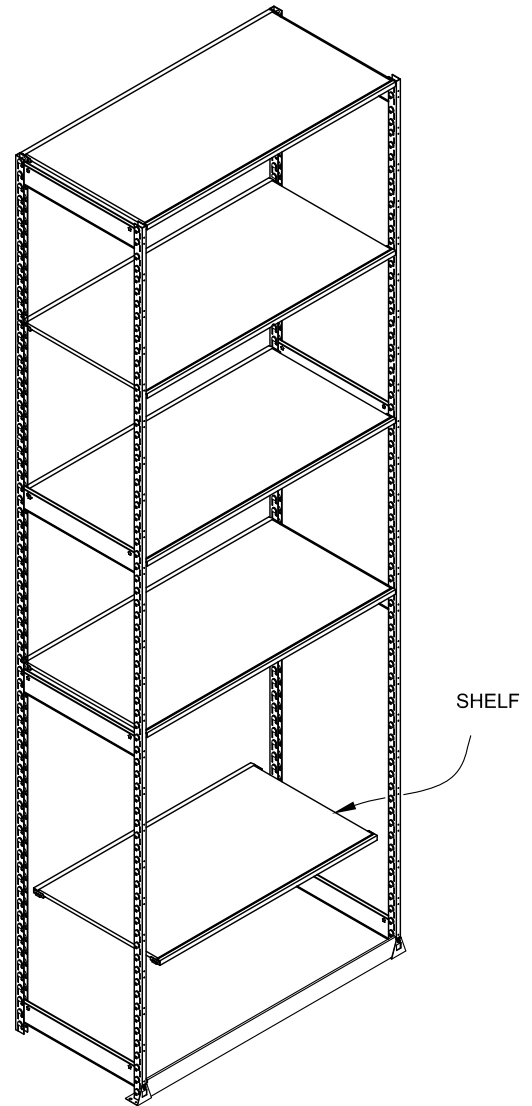
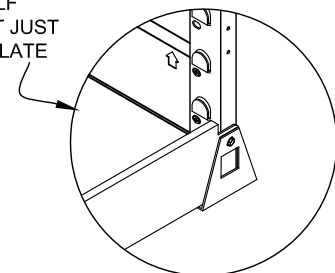


FIGURE 6



BOTTOM SHELF  
GOES IN SLOT JUST  
ABOVE KICKPLATE



# METAL SHELVES

1. INSTALL THE SHELF BY PUTTING THE SHELF LOOP OVER THE LANCE AS SHOWN (FIGURE 6) AND PUSH DOWN UNTIL THE LOOP IS FULLY SEATED BOTH FRONT AND REAR AT EACH END OF SHELF. (FIGURE 6)
2. POSITION OTHER SHELVES ACCORDING TO PROFILES.
3. IT IS YOUR OPTION TO FASTEN THE SHELVES TO THE UPRIGHTS. TOP AND CENTER SHELVES CAN BE FASTENED TO THE UPRIGHTS USING 21401 TEK SCREWS, AS SHOWN BELOW. (FIGURE 7)

MEG	<b>NOTICE</b>	MEG
<b>MAXIMUM LOADS</b>		
<b>SECTION</b>	<b>SHELF</b>	
<b>2000 LB.</b>	<b>500 LB.</b>	
<small>Including Above/Below Deck</small>	<small>300 lb. On 12" Shelves Evenly Distributed</small>	
<small>DO NOT USE FOR A STEP, HAND-HOLD OR LADDER REFER TO ASSEMBLY INSTRUCTIONS FOR PROPER INSTALLATION</small>		
<small>STICKER PART #: 1362680-1</small>		

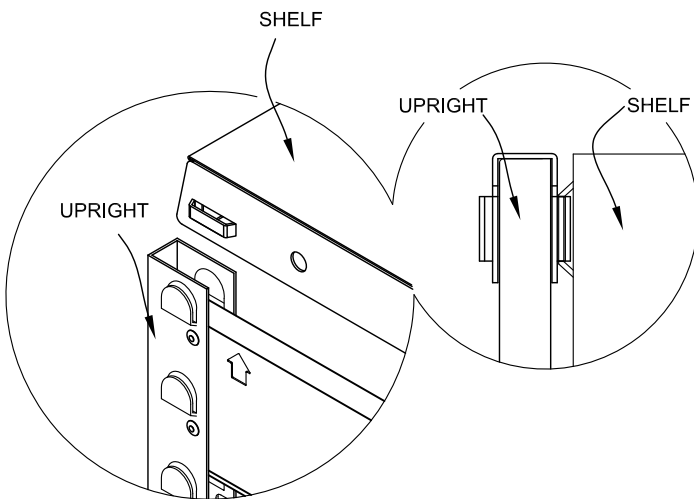
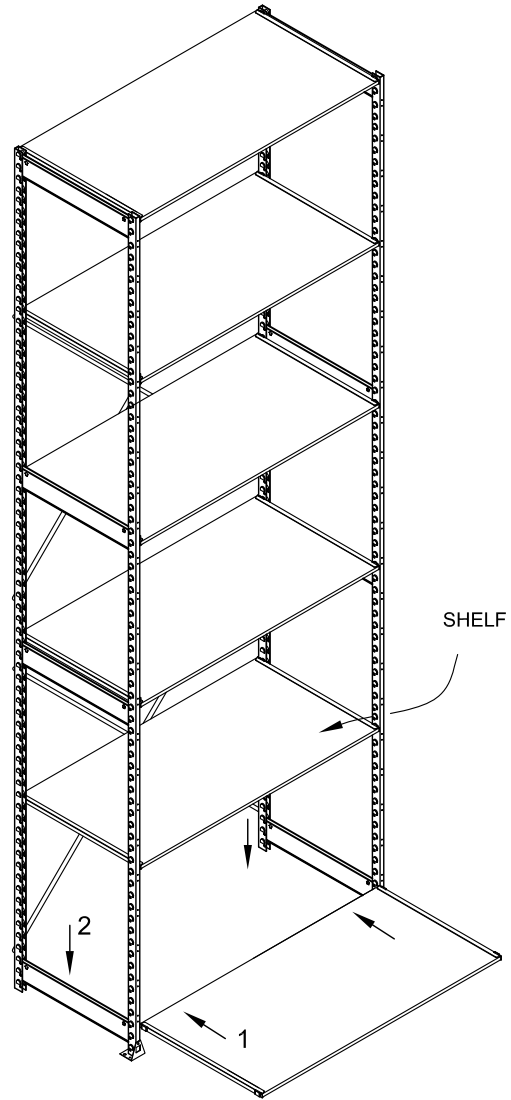


FIGURE 6

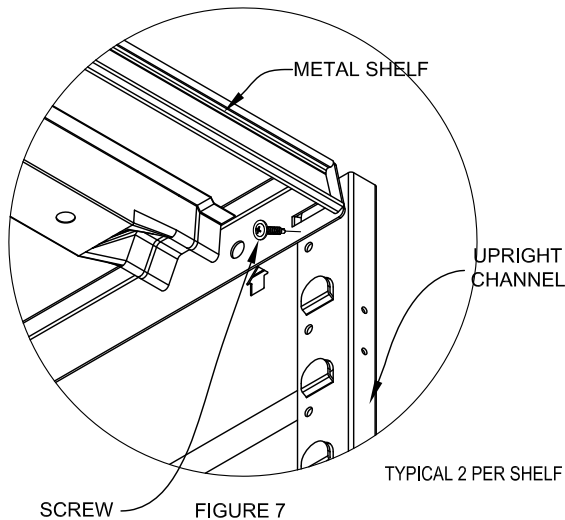
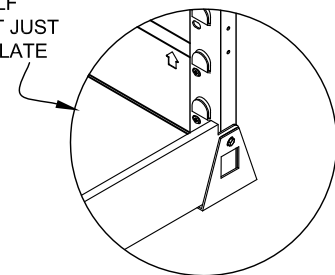


FIGURE 7

BOTTOM SHELF  
GOES IN SLOT JUST  
ABOVE KICKPLATE



**PBSA (SHELF) & KPT (KICKPLATE)**

1. TO INSTALL THE KICKPLATE (KPT) YOU NEED TO WORK FROM RIGHT TO LEFT. FIRST BRING THE KICKPLATE OUT AT A SLIGHT ANGLE, (FIGURE 3, #1) AND PUSH IT ALL THE WAY IN TO THE UPRIGHT.
2. PUSH THE KICKPLATE (KPT) IN UNTIL YOU GET TO THE SLOTS ON THE OTHER UPRIGHT, (FIGURE 3, #2)
3. NOW BRING THE KICKPLATE (KPT) BACK TO YOUR LEFT UNTIL IT SEATS IN THE UPRIGHT SLOT (FIGURE 3, #3)
4. TO INSTALL THE PBSA (3 PIECE PARTICLEBOARD SHELF) YOU NEED TO WORK FROM RIGHT TO LEFT. FIRST BRING THE J-CHANNEL (PBSS) OUT AT A SLIGHT ANGLE, (FIGURE 4, STEP#1) AND PUSH IT ALL THE WAY IN TO THE UPRIGHT.
5. PUSH THE J-CHANNEL (PBSS) IN UNTIL YOU GET TO THE SLOTS ON THE OTHER UPRIGHT, (FIGURE 4, STEP#2)
6. NOW BRING THE J-CHANNEL (PBSS) BACK TO YOUR LEFT UNTIL IT SEATS IN THE UPRIGHT SLOT (FIGURE 4, STEP#3)
7. TO INSTALL THE BACK J-CHANNEL (PBSS) FOLLOW STEPS 7 THROUGH 9.
8. NOW YOU ARE READY TO DROP IN THE PARTICLEBOARD SHELF (PBS).
9. BOTTOM SHELF COMPLETE.
10. POSITION OTHER SHELVES ACCORDING TO PROFILES.

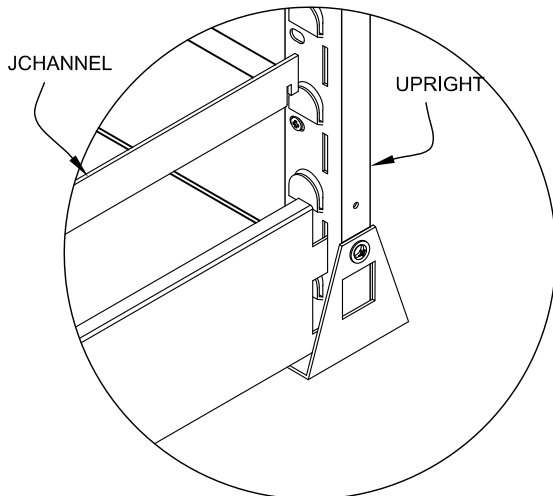


FIGURE 3

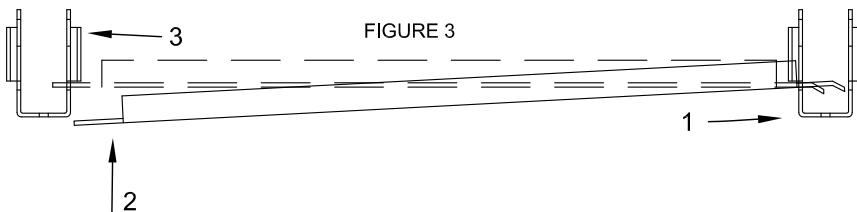
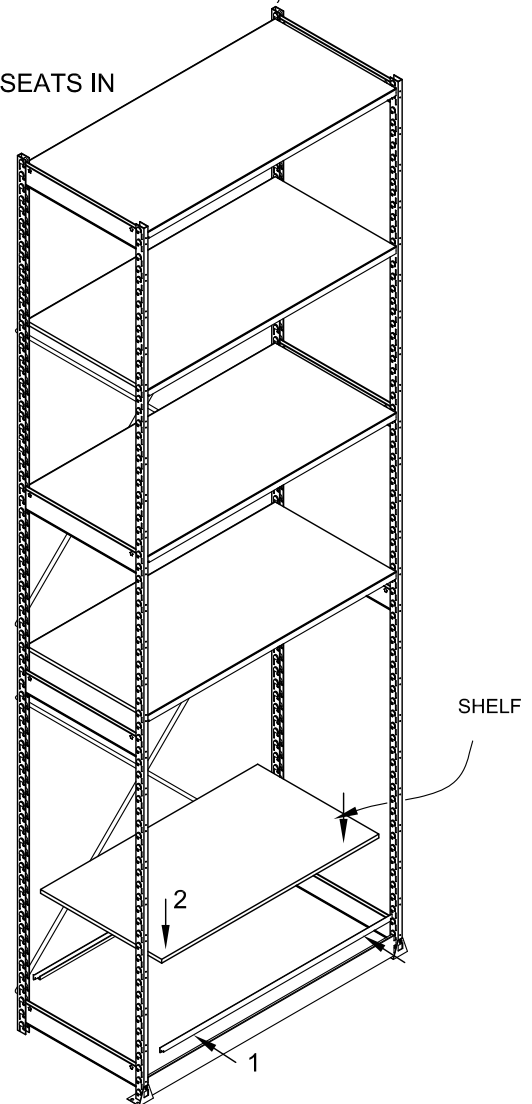


FIGURE 3

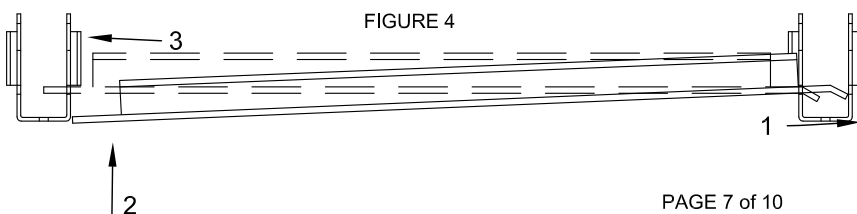


FIGURE 4

MEG	<b>NOTICE</b>	MEG
<b>MAXIMUM LOADS</b>		
<b>SECTION</b>	<b>SHELF</b>	
<b>2000 LB.</b>	<b>500 LB.</b>	
<small>Including Above/Below Deck</small>	<small>300 Lb. On 12" Shelves Evenly Distributed</small>	
<small>DO NOT USE FOR A STEP, HAND-HOLD OR LADDER REFER TO ASSEMBLY INSTRUCTIONS FOR PROPER INSTALLATION STICKER PART #: 1352880-1</small>		



## HANGROD

1. TILT HANGROD (HRP) UNTIL TAB IS POSITIONED INTO HOLE OF THE HANGROD CHANNEL (HRBT) AT DESIRED LOCATION (FIGURE 7). INSERT HANGROD (HRP) INTO OTHER HANGROD CHANNEL (HRBT) TO MAKE A HANGROD ASSEMBLY (FIGURE 8)

2. SLIDE ASSEMBLY (HRSA) IN BETWEEN UPRIGHTS AND INSERT SLOTS, ON THE SIDE OF HANGROD CHANNEL ONTO THE LANCES ON UPRIGHT BOTH ENDS. (FIGURE 9)

NOTE: DOUBLE HANGROD ASSEMBLY (HRDA) CAN BE INSTALLED IN THE HANGROD CHANNELS (HRBT) DEPENDING ON SIZE OF MERCHANDISE BEING STORED.

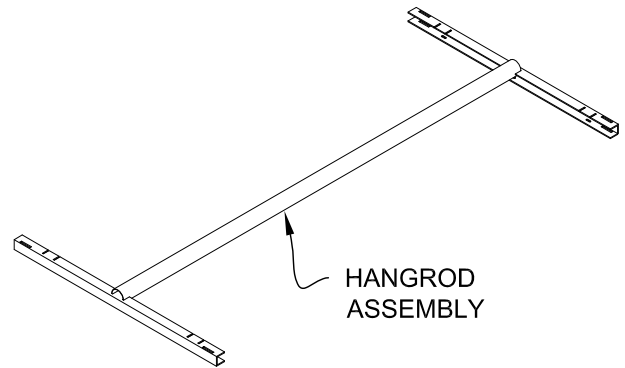
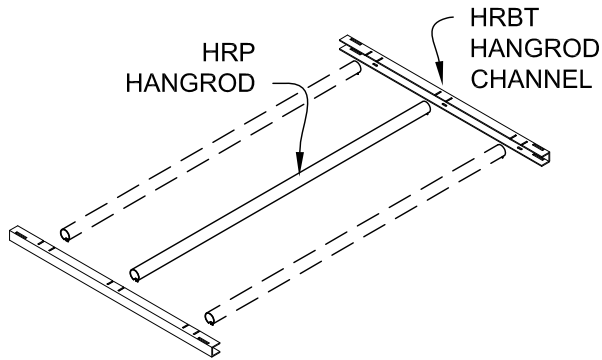


FIGURE 8

NOTE: UNITS RECEIVING HANGRODS ASSEMBLES MUST HAVE TOP AND BOTTOM SHELVES. HANGRODS ASSEMBLES ALONE WILL NOT STABILIZE THESE FIXTURES.

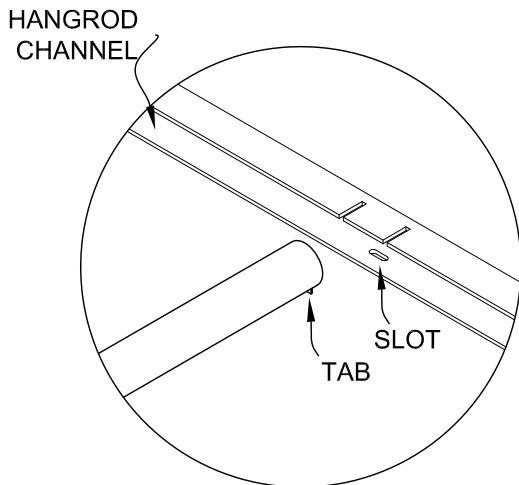


FIGURE 7

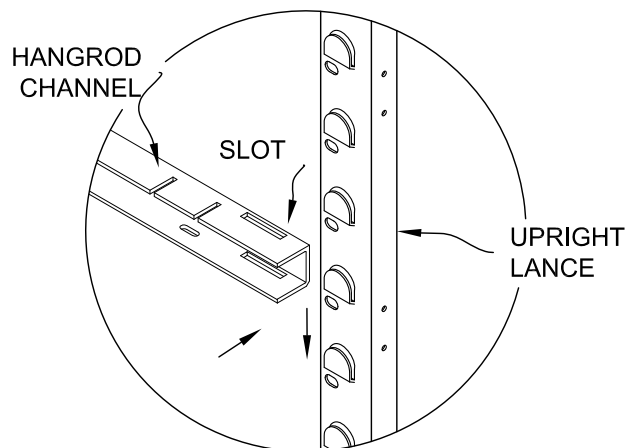
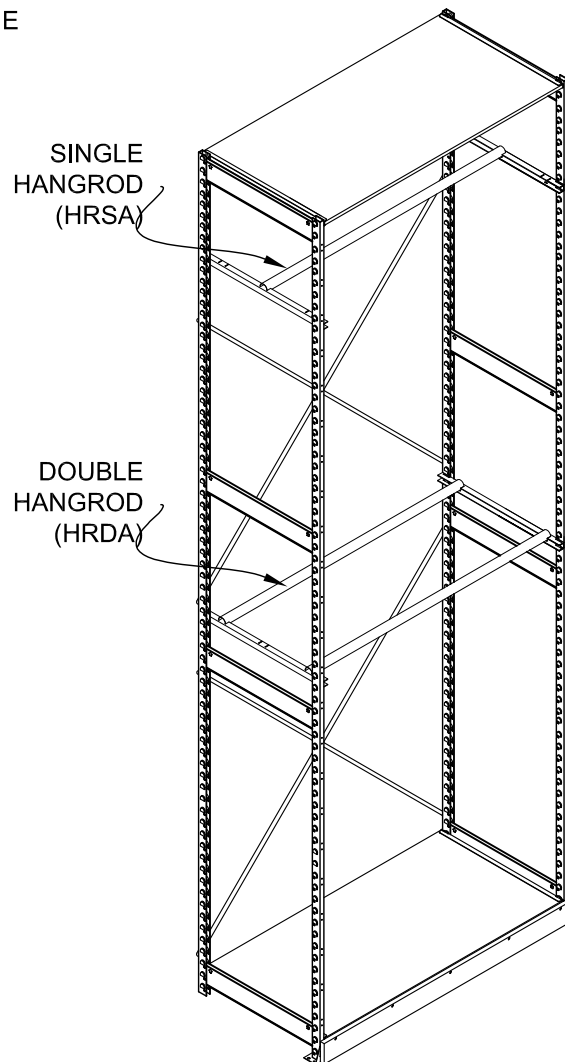


FIGURE 9



# SECURING BACK TO BACK UNITS

WHEN INSTALLING BACK TO BACK UNITS, EACH UPRIGHT IN THE ROW **MUST** BE SECURED TO THE UPRIGHTS IN THE ADJACENT ROW AS SHOWN. EITHER BBC'S (BACK TO BACK CLIPS) OR TEK SCREWS CAN BE USED FOR THIS PURPOSE.

**NOTE:** WHEN USING METAL OR HARDBOARD BACKS BBC'S CANNOT BE USED EXCEPT FOR THE END ROWS. UPRIGHTS MUST BE SECURED WITH TEK SCREWS.

## BBC (BACK TO BACK CLIP)

1. TO INSTALL THE BBC PLACE DIMPLED SIDE TOWARDS THE UPRIGHT CHANNELS.
2. NEXT SLIDE THE BBC DOWN OVER THE LANCES AS SHOWN IN (FIGURE 10).
3. REPEAT TOP, BOTTOM AND CENTER OF UPRIGHTS. MINIMUM OF (3) PER UPRIGHT CHANNEL PAIR.

\*NOTE: SEE DETAIL FOR BBC LOCATIONS

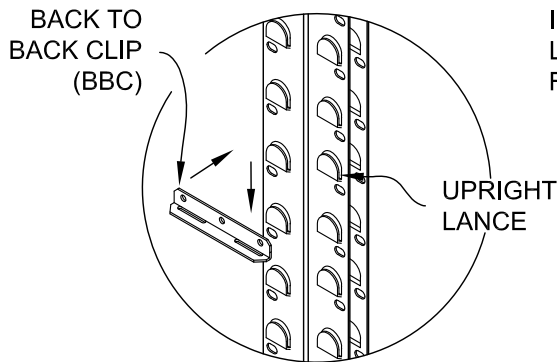
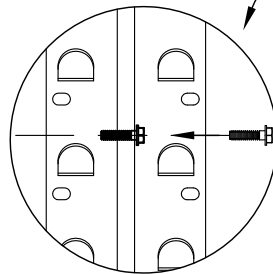


FIGURE 10

INSTALL ON 2ND LANCE DOWN FROM THE TOP

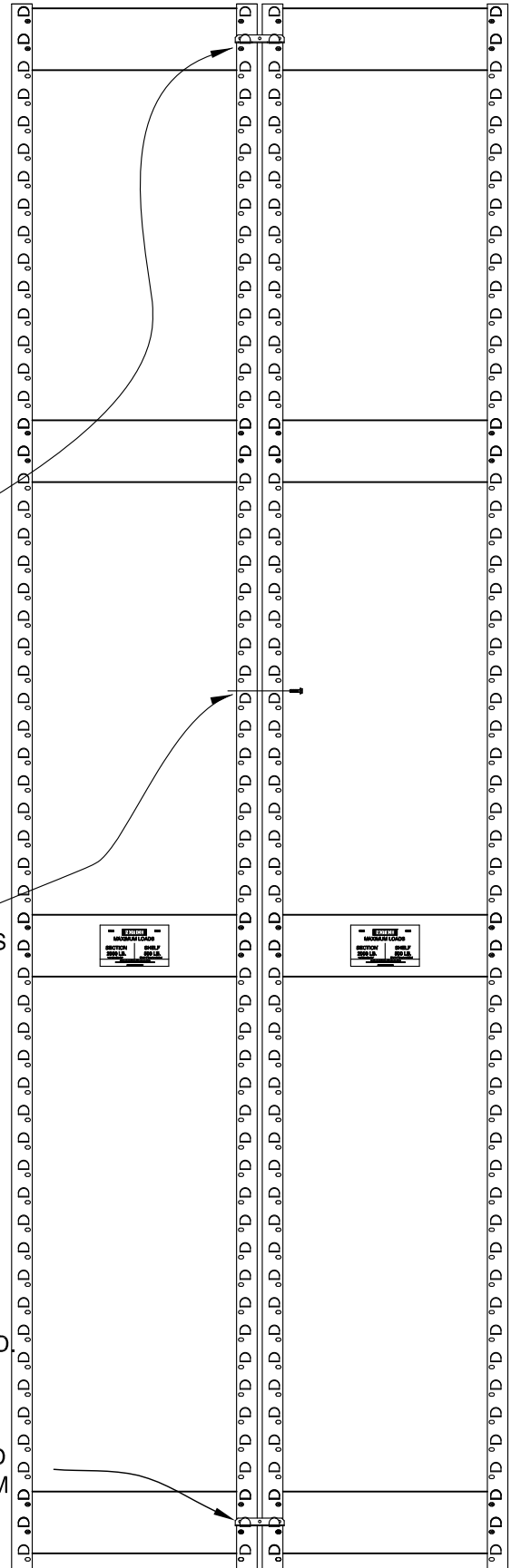
OPTIONAL #10x3/4 HHSMS TOP & BOTTOM (NOT SUPPLIED BY MEG)



## TEK SCREW

1. INSURE THAT BACK TO BACK UPRIGHT CHANNELS ARE ALIGNED
2. DRIVE #10X3/4 TEK SCREW THRU BOTH UPRIGHTS AS SHOWN IN (FIGURE 11).
3. INSURE TEK SCREW IS FULLY INSERTED.
4. REPEAT TOP, BOTTOM AND CENTER AS SHOWN. MINIMUM OF (3) PER UPRIGHT CHANNEL PAIR.

INSTALL ON 2ND LANCE UP FROM THE BOTTOM



## TOP TIE

1. TOP TIES ARE TO BE LOCATED AT EACH END OF RUNS THAT ARE 10'-0" HIGH, ALSO EVERY OTHER UPRIGHT IN BETWEEN, BUT NOT TO EXCEED 8'-0" APART (SEE FIGURE 6). AT INTERMEDIATES, FASTEN UNDER TOP SHELF.

USE #21401 TO SECURE THE TOP TIES TO THE UPRIGHTS

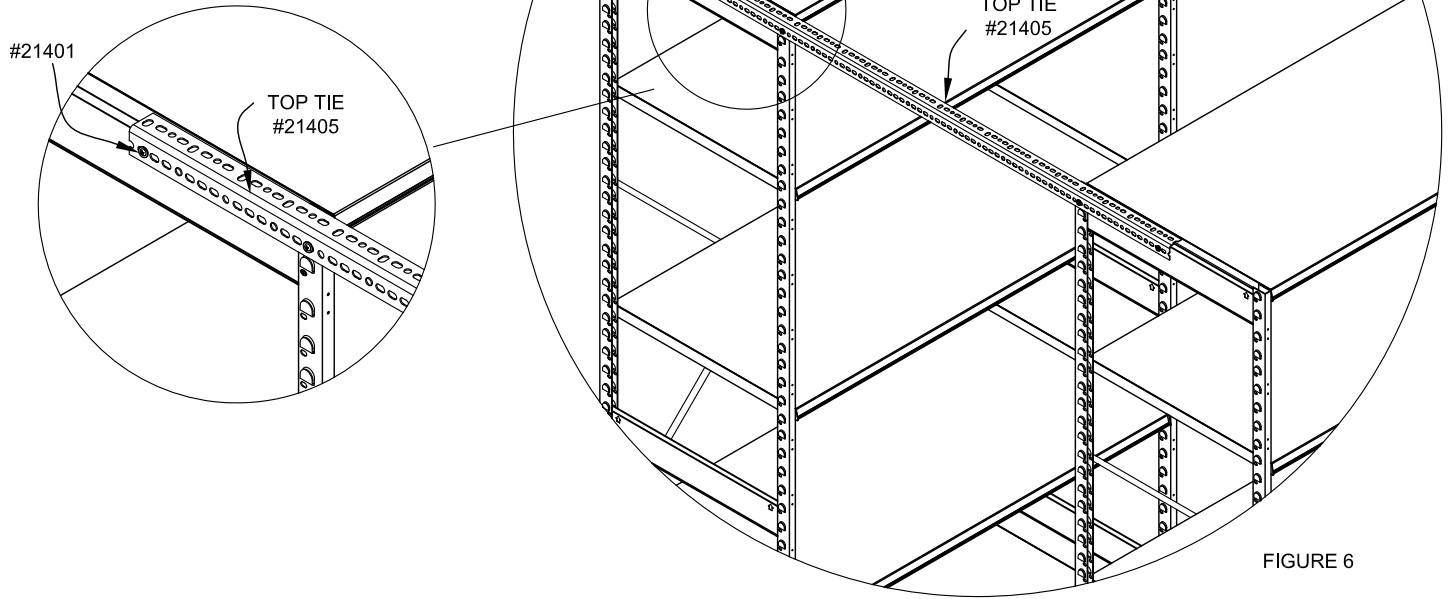
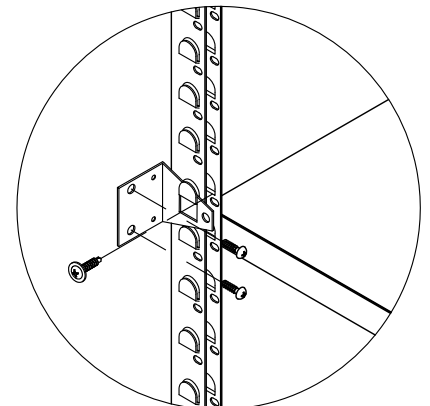
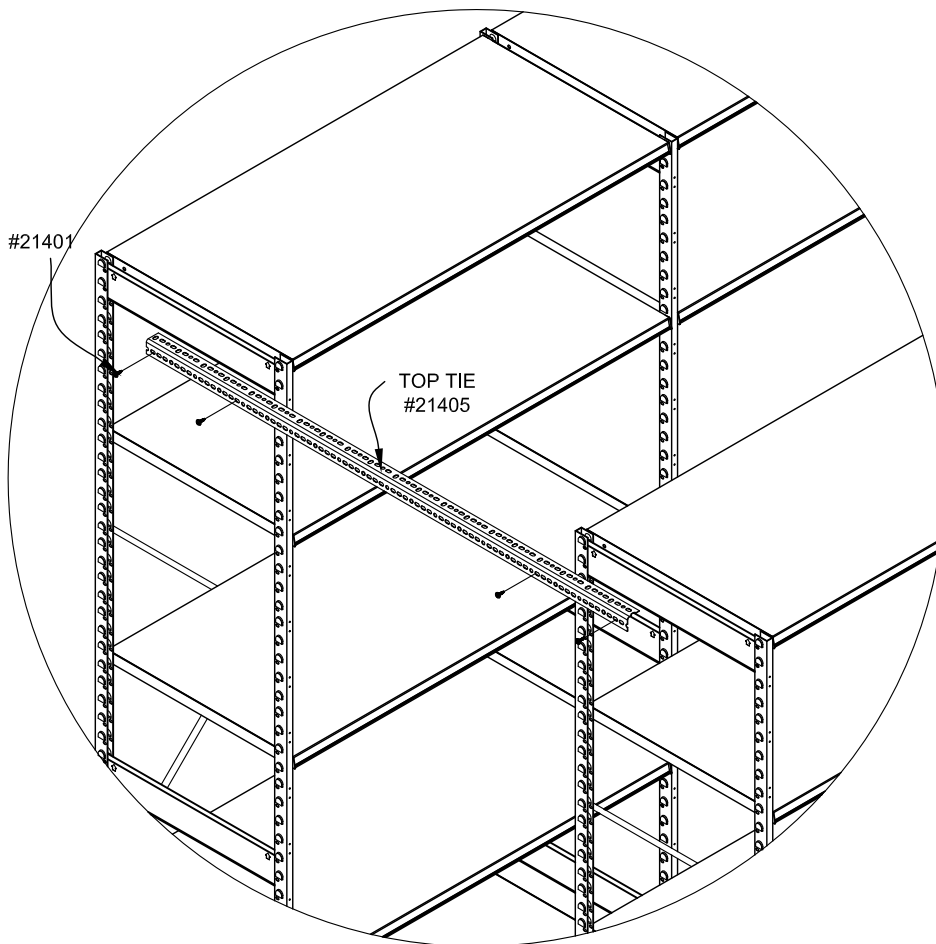


FIGURE 6

## ANCHORING TO THE WALL

1. FOR EVERY THIRD UPRIGHT, USE #21401 TO SECURE THE CSA TO THE UPRIGHTS. (SEE FIGURE)



2. USE THE APPROPRIATE FASTENER FOR THE WALL TYPE TO SECURE THE CSA TO WALL. (SCREW NOT SUPPLIED)

