

INSTALLATION INSTRUCTIONS

MOBILE GONDOLA CARRIAGE W/CASTER

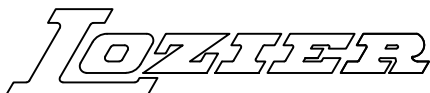
MOBILE GONDOLA UPRITE LIMITATIONS	
BASE BRACKET SIZE COMBINATION	MAXIMUM UPRITE HEIGHT
13/13	NOT ALLOWED
13/16	78
13/19	90
13/22	102
13/25	114
16/16	90
16/19	102
16/22	114
16/25	120
19/19	114
19/22	120
19/25	120
22/22	120
22/25	120
25/25	120

TOOLS REQUIRED	MIN. QTY
3/4" WRENCH OR SOCKET	1
1/2" WRENCH OR SOCKET	2
9/16" WRENCH	1

NOTE: Always use more than one person to assemble this system.

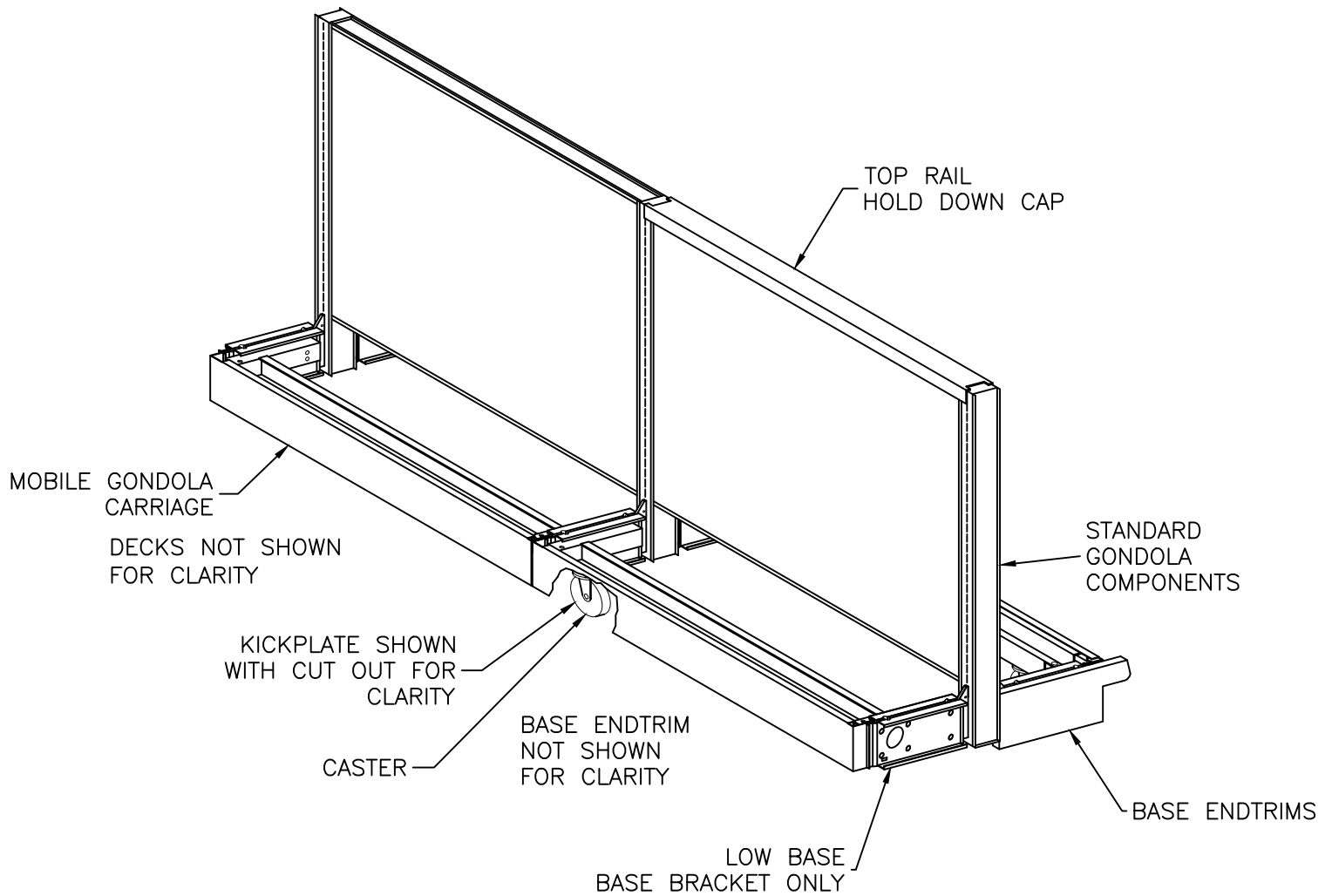
IMPORTANT LOADING INFORMATION

- The maximum rated load for the mobile gondola is 1000 lbs evenly distributed per 3' or 4' gondola Section. (500 lbs maximum per side)
- To prevent tipping, do not move a loaded mobile gondola.
- Requires low base bracket design with 2" conduit holes and top and bottom flanges.
- Maximum of 3 sections per run.



INSTALLATION INSTRUCTIONS

MOBILE GONDOLA CARRIAGE W/CASTER



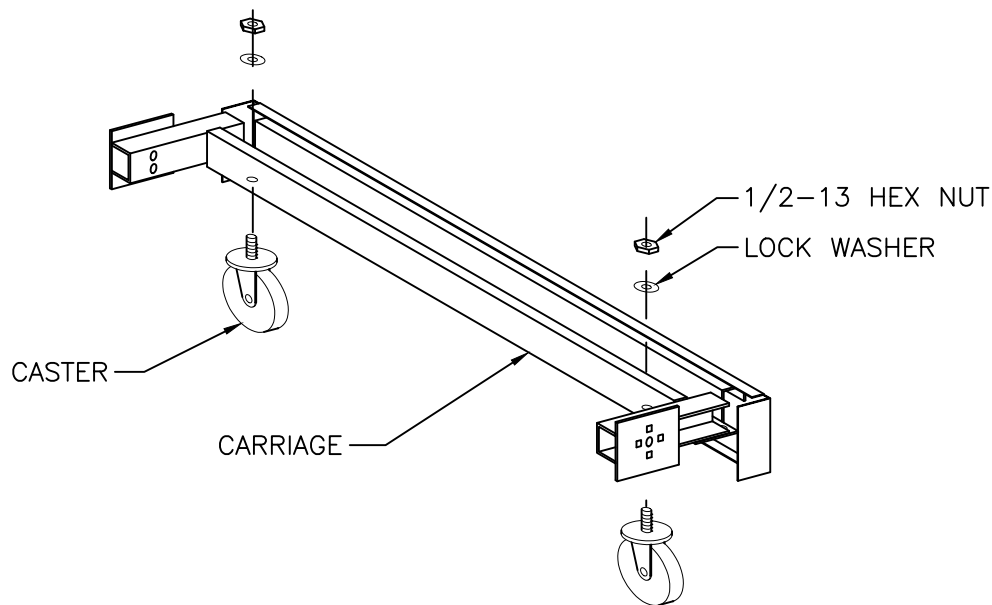
INSTALLATION INSTRUCTIONS

MOBILE GONDOLA CARRIAGE W/CASTER

STEP 1: Assemble gondola section according to basic installation instruction 01-13 with the exception of the base end trims, base fronts, and base decks.

STEP 2: Attach casters to the mobile gondola carriages – two per carriage.

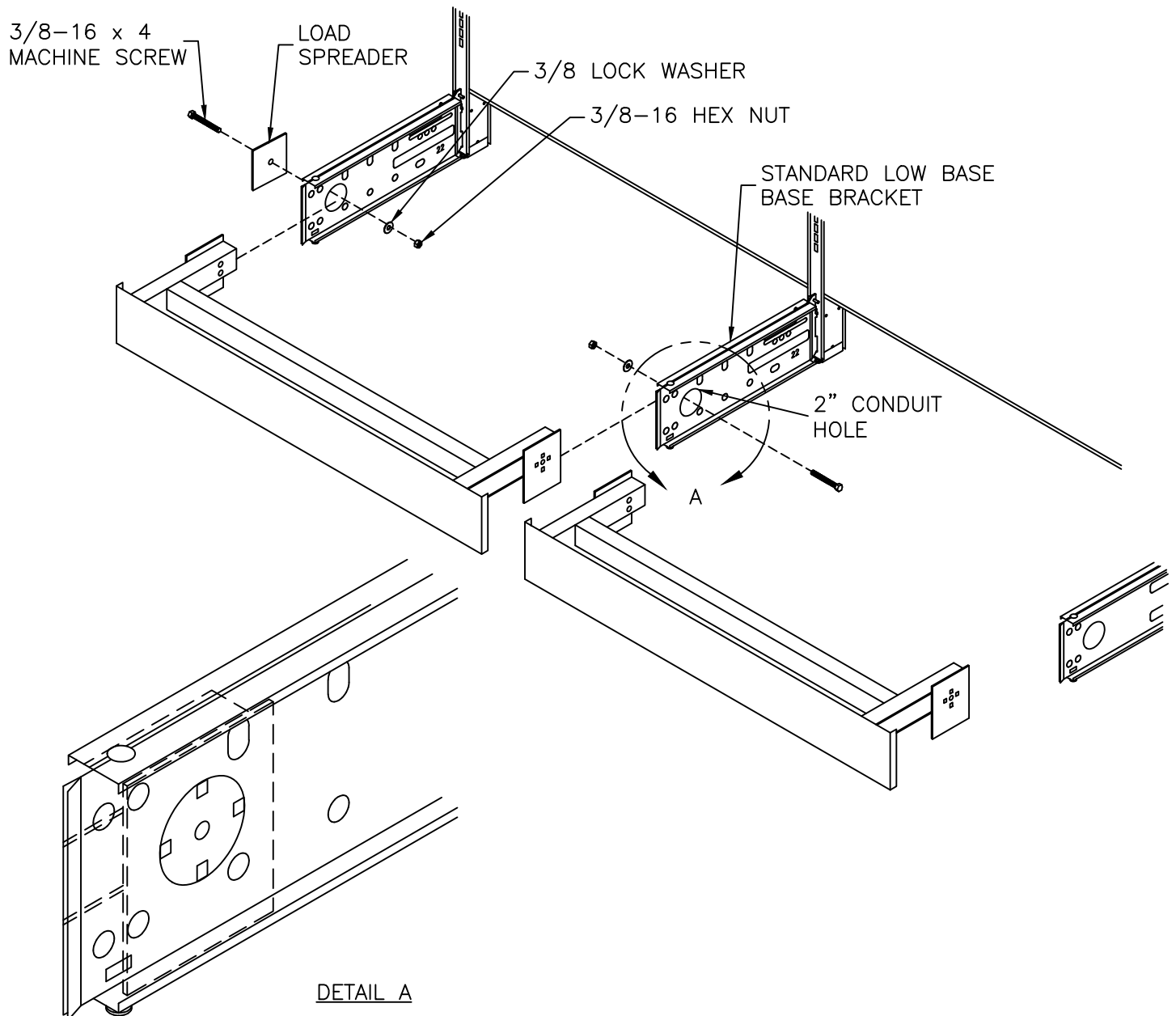
- Insert threaded stems of caster through the large holes in the carriage and secure with 1/2" lock washers and 1/2-13 hex nuts provided. (3/4" wrench required)



INSTALLATION INSTRUCTIONS

MOBILE GONDOLA CARRIAGE W/CASTER

- STEP 3:** Slide assembled mobile gondola carriage between the base brackets until the tabs in the end plates fit into the 2" diameter conduit holes of the base bracket. See (DETAIL A)
- STEP 4:** At the end of the gondola run place the load spreader plate on the outside of the base bracket. Align holes and secure in place with 3/8-16 X 4" machine screw, 3/8" lock washer, and 3/8-16 hex nut. wrench size is 9/16.
IMPORTANT: BOLTS MUST BE FIRMLY TIGHTENED DOWN. TIGHTEN 2 FULL TURNS AFTER LOCK WASHER IS FULLY COMPRESSED AND NUT IS SNUG.
- STEP 5:** If the gondola is more than one section slide the next carriage assembly into place and secure in place. There is no need to use the load spreader at this connection.
- STEP 6:** Finish the remaining sections in the gondola.



INSTALLATION INSTRUCTIONS

MOBILE GONDOLA CARRIAGE W/CASTER

- STEP 7:** Install top rail hold down cap. (Note: If an EMP will be used, remove top cap from end upright. Align hex nut to maximize clearance for channel on rear of EMP.)
- Place rail hold down channel on top of assembled gondola and attach with (2) 5/16-18 x 3" long carriage bolts and nuts provided. (1/2" wrench required)
 - On gondola sections with (2) 3' or 4' sections; Install (1) rail hold down channel (as shown). On gondola sections with (3) 3' or 4' sections; Install rail hold down channel at the beginning and end of the run.
- STEP 8:** Assemble base end trim and decks on remainder of gondola.

