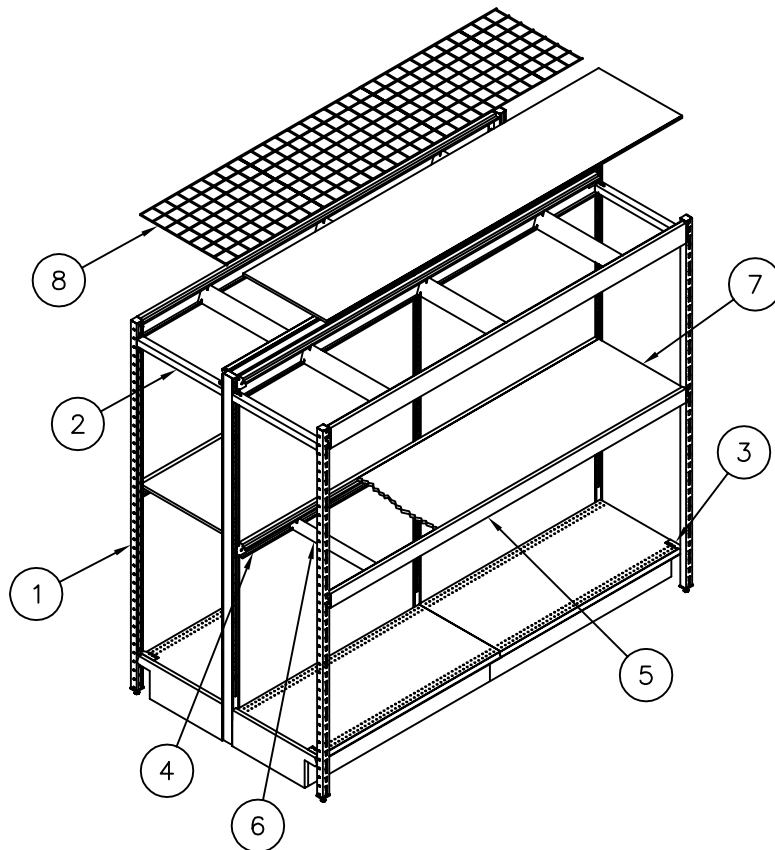


INSTALLATION INSTRUCTIONS

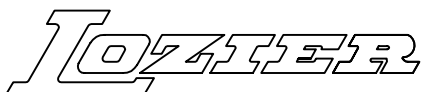
MULTI-FUNCTION SHELVING SYSTEM

NOTE: Multi-Function Beams are identified by a **MF** stamped into the right end of each beam. Multi-Function Shelf Supports are identified by a **MF** stamped into the end of each Shelf Support.

NOTE: Personnel must be provided with safe access to all elevations of storage equipment or display fixtures via ladders, stairways, or other means in accordance with applicable OSHA regulations. In **NO** case should anyone be allowed to climb or stand on storage or display equipment.



ITEM NO.	DESCRIPTION	PART NUMBER
1	Multi-Function Upright	MFU or MFU_RE
2	Multi-Function Upright Brace	MFUB
3	Multi-Function Upright Deck Connector	MF1151
4	Multi-Function Back Beam	MFBB or MFBB_HD
5	Multi-Function Front Beam	MFFB or MFFB_HD
6	Multi-Function Shelf Support	MFSS or MFSS_HD
7	Multi-Function Wood Shelf	MFS
8	Multi-Function Wiregrid Shelf	MFWG
9	Multi-Function Wood Deck (not shown)	MFD



INSTALLATION INSTRUCTIONS

MULTI-FUNCTION SHELVING SYSTEM

Install Standard Lozier Shelving in accordance with the installation instructions provided. Do not install shelves at this time.

Assemble the Multi-Function components to the standard shelving as follows:

NOTE: Use of a light valance may require that the MFUB be located differently than shown in the following steps. Review the light valance installation instruction now before proceeding.

STEP 1: Attach the Multi-Function Upright Brace (MFUB) to the Multi-Function Upright Post (MFU or MFU_RE).

- a) Insert the "T" Tab of the Upright Brace into the rear opening of the upright and rotate into a vertical position (SEE FIGURE 1).
 - b) Be sure the Locator Lug is inside the upright rear opening.
 - c) The 5/16-18 x 2" Bolt is optional and can be used to help hold the Upright Brace and the Upright together while installing the assembly into the Display Upright.
- If Standard Front Beams (MFFB) are to be used, align the hole in the Upright Brace with the upper square hole in the Upright and fasten the bolt.
- If Heavy Duty Front Beams (MFFB_HD) are to be used, align the hole in the Upright Brace with the diamond shaped hole in the Upright and fasten the bolt.

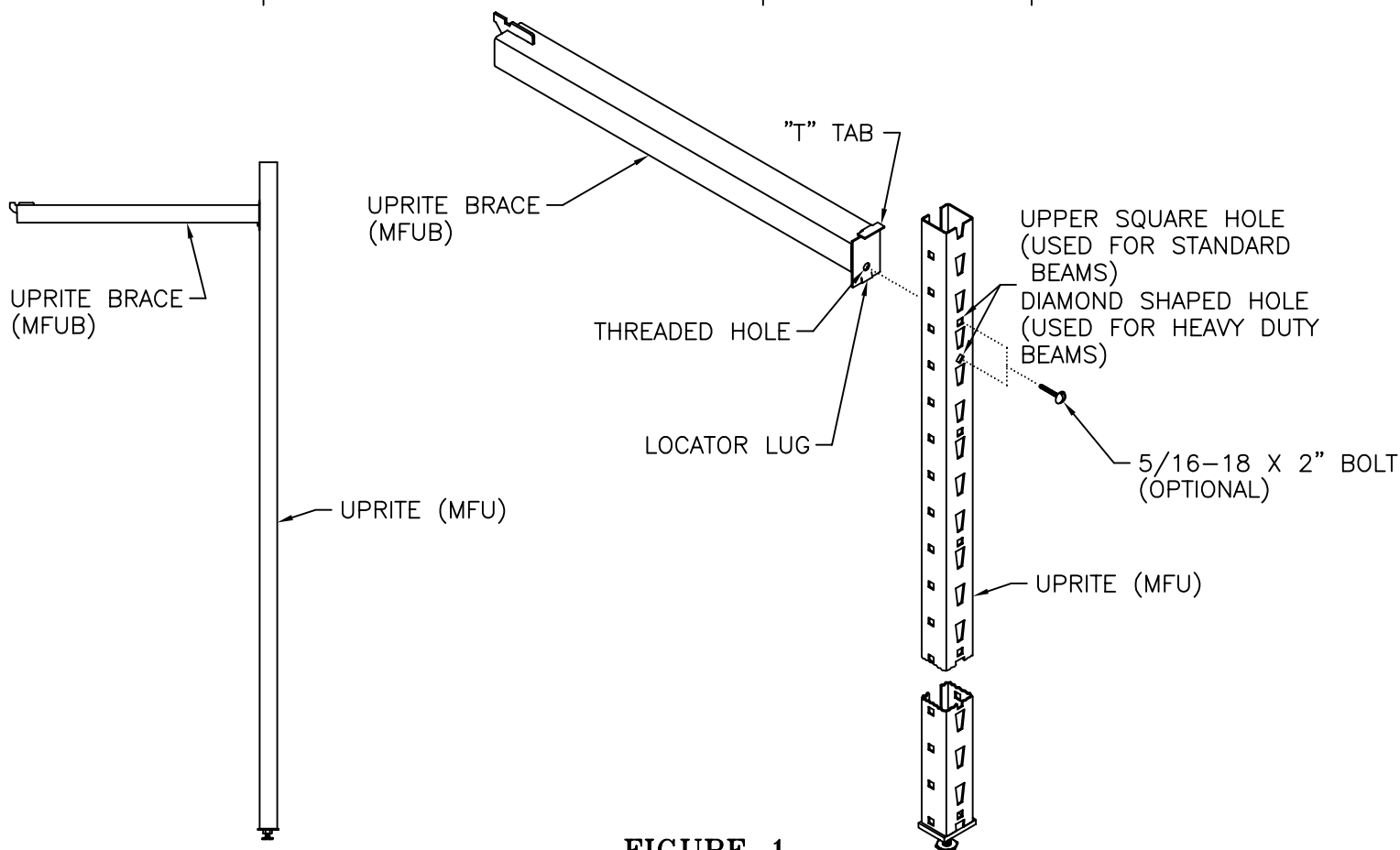


FIGURE 1

INSTALLATION INSTRUCTIONS

MULTI-FUNCTION SHELVING SYSTEM

STEP 2: Install the assembled Uprite/Uprite Brace in the Display Shelving Uprites.

- a) Tilt Uprite/Uprite Brace and insert the Uprite Brace Hook into the Display Shelving Uprite Slot.
 - Use 3rd slot from top if Standard Front Beams (MFFB) are to be used.
 - Use 5th slot from top if Heavy Duty Front Beams (MFFB_HD) are to be used.
- b) Rotate Uprite/Uprite Brace as shown to bring the Uprite to a vertical position (SEE FIGURE 2).

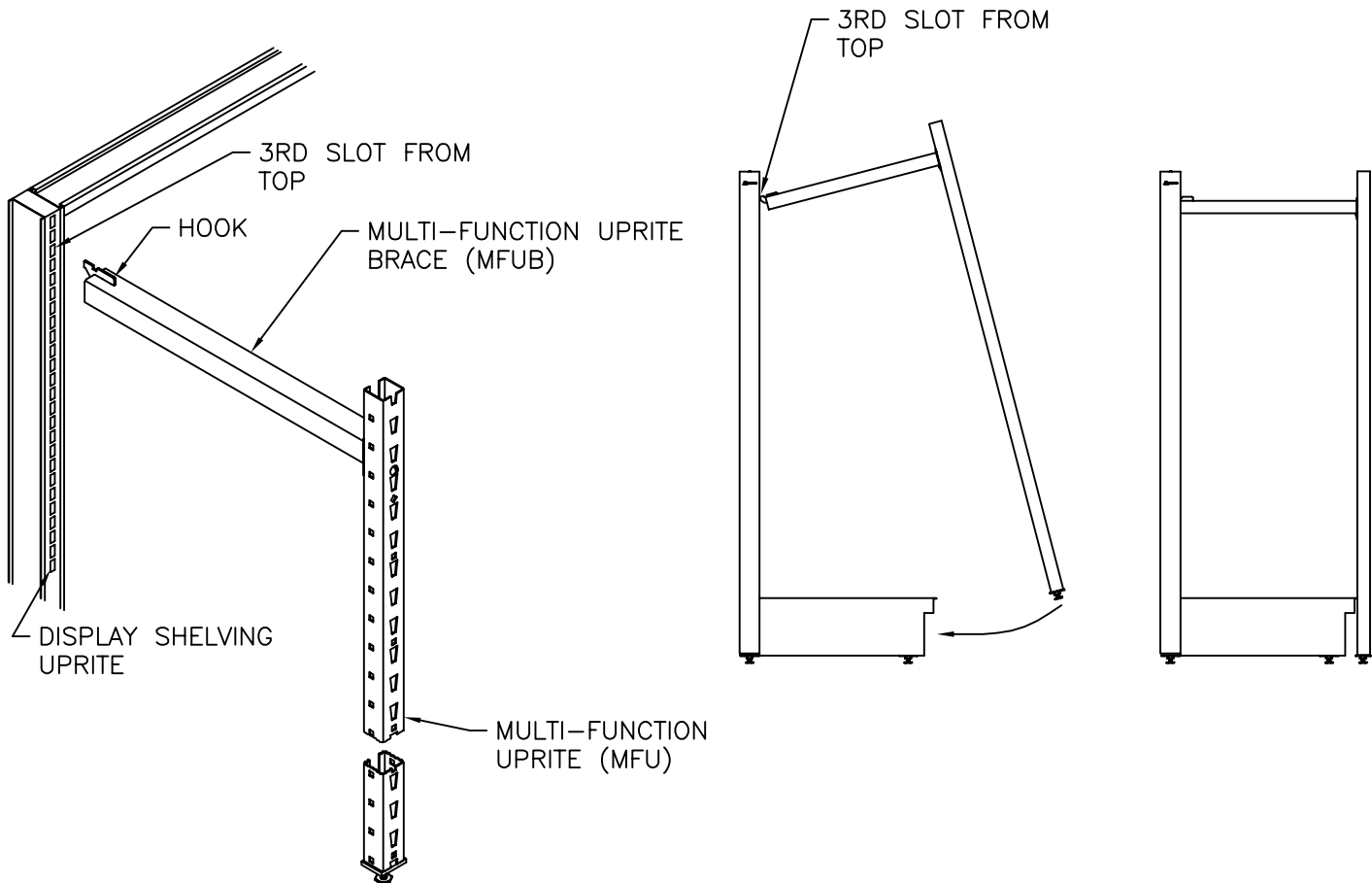


FIGURE 2

INSTALLATION INSTRUCTIONS

MULTI-FUNCTION SHELVING SYSTEM

- STEP 3:** Insert the Multi-Function Upright/Deck Connector (MFUDC) into the lower rear of the Multi-Function Upright Post and rotate it so the slots fit around the rear flanges in the post.
- Attach the Deck Connector using the holes required to provide desired clearance at front of deck. Using two #10 x 1/2" bolts and nuts, fasten to the outward pair of holes in the SD Deck (SEE FIGURE 3).
 - Adjust the leveling screw at bottom of Upright until it touches the floor.

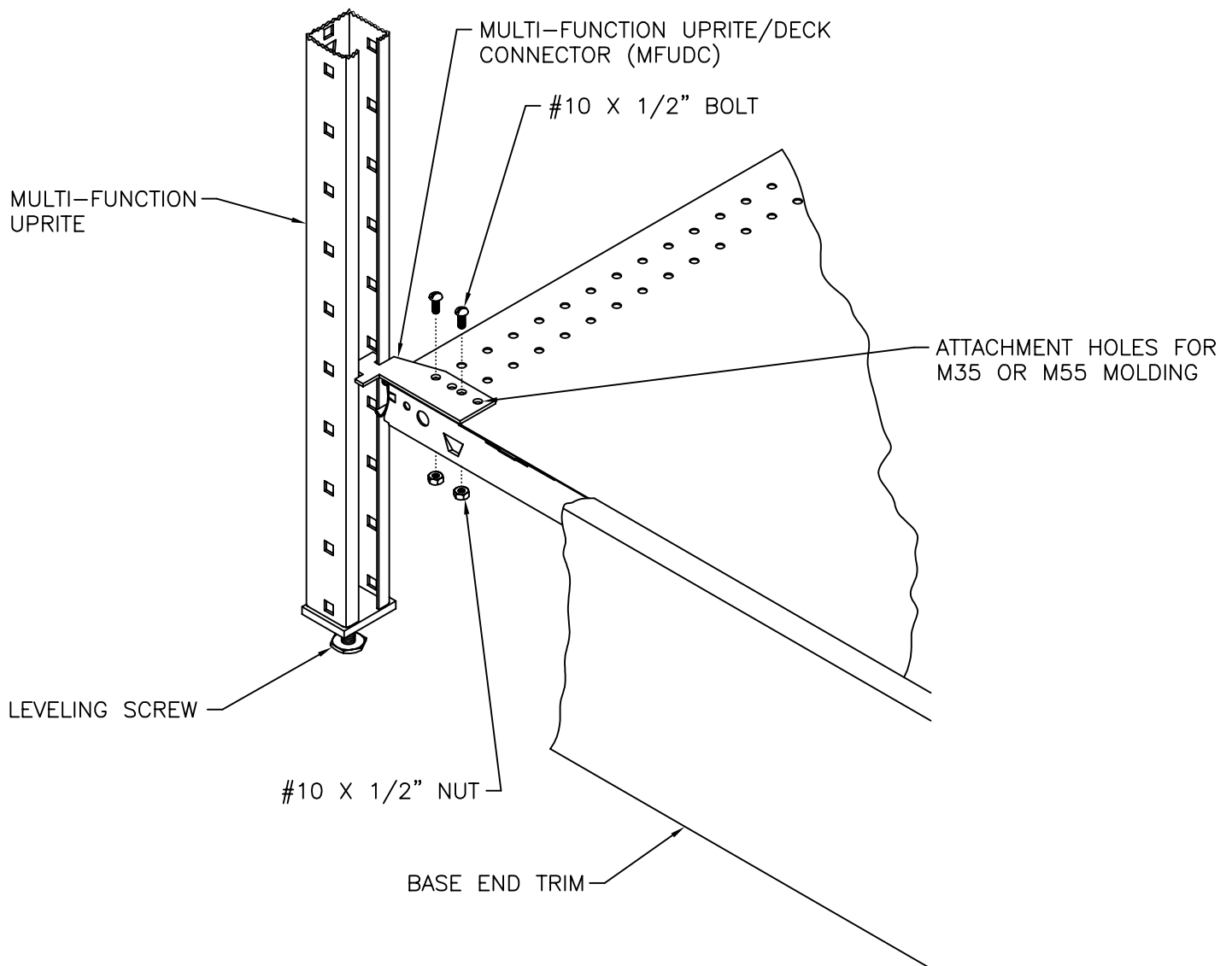


FIGURE 3

INSTALLATION INSTRUCTIONS

MULTI-FUNCTION SHELVING SYSTEM

STEP 4: Install the Multi-Function Beams and Shelves.

NOTE: A minimum of one Multi-Function Shelf must be used (at the top) for stability and proper spacing of MF Uprite. (SEE FIGURE 5)

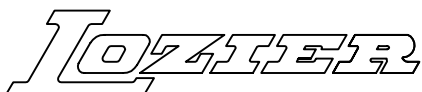
NOTE: MFFB and MFFB_HD are 2" shorter than same nominal size widespan beams.

- A. Install Multi-Function Back Beam (MFBB or MFBB_HD) into top slots of U Uprites.
- B. Install Multi-Function Front Beam (MFFB or MFFB_HD) into top slots in MF Uprite. (NOTE: MFFB has 2 hooks per end; MFFB_HD has 3 hooks per end). Top cap must be removed from the uprite to install beam, then reinsert top cap.
- C. Install Multi-Function Shelf Supports (MFWSS or MFWSS_HD) between the Beams. See FIGURE 4 for load capacities and FIGURE 4A for locations of shelf supports when using regular duty 3 shelf supports.

MULTI-FUNCTION SHELF CAPACITY (UNIFORMLY DISTRIBUTED LOAD)						
SHELF DEPTH	SECTION WIDTH (BEAM LENGTH)	NUMBER OF REGULAR DUTY SHELF SUPPORTS WITH REGULAR DUTY BEAMS			NUMBER OF HEAVY DUTY SHELF SUPPORTS WITH HEAVY DUTY BEAMS	
		2	3	4	2	3
UP TO 31" DEEP	36"	1,600	2,400	3,000	3,000	—
	48"	1,600	2,400	3,000	3,000	—
	72"	1,600	2,000	2,400	—	3,000
	84"	1,600	1,800	2,000	—	3,000
	96"	1,600	1,600	1,600	—	3,000

FIGURE 4

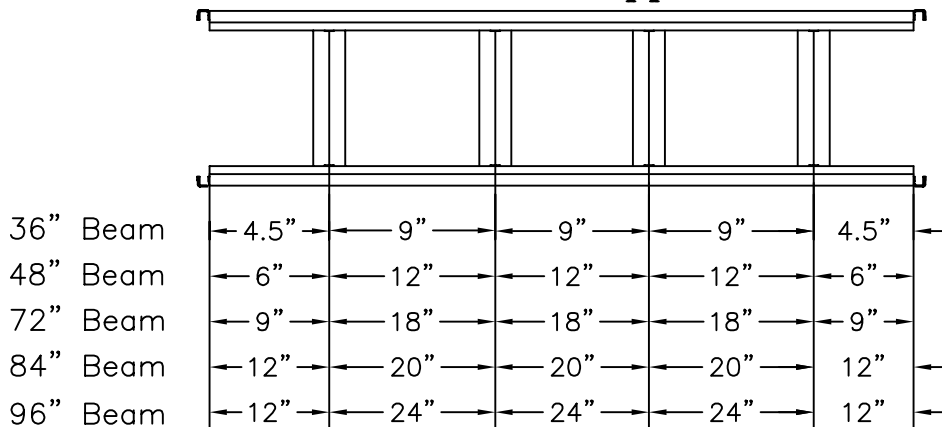
NOM SIZE	ACTUAL LENGTH OF SHELF SUPPORT
16"	18 1/32"
19"	21 1/32"
22"	24 1/32"
25"	27 1/32"
28"	30 1/32"
31"	33 1/32"



INSTALLATION INSTRUCTIONS

MULTI-FUNCTION SHELVING SYSTEM

Regular Duty 4 Shelf Supports



Regular Duty 3 Shelf Supports

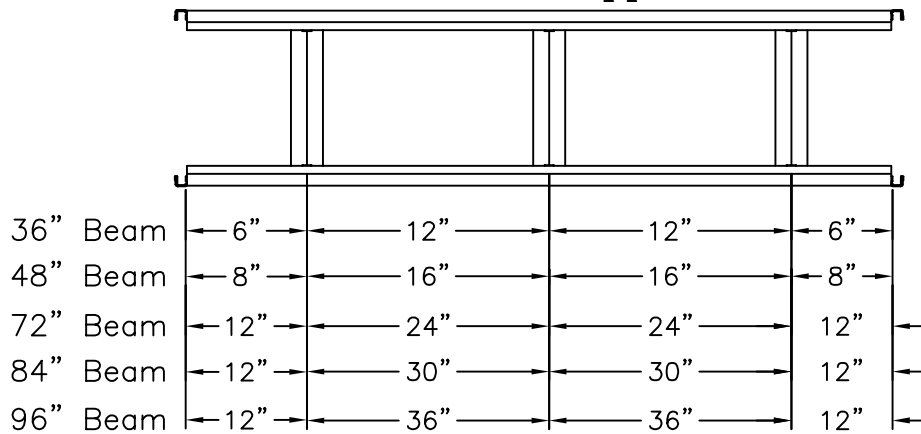
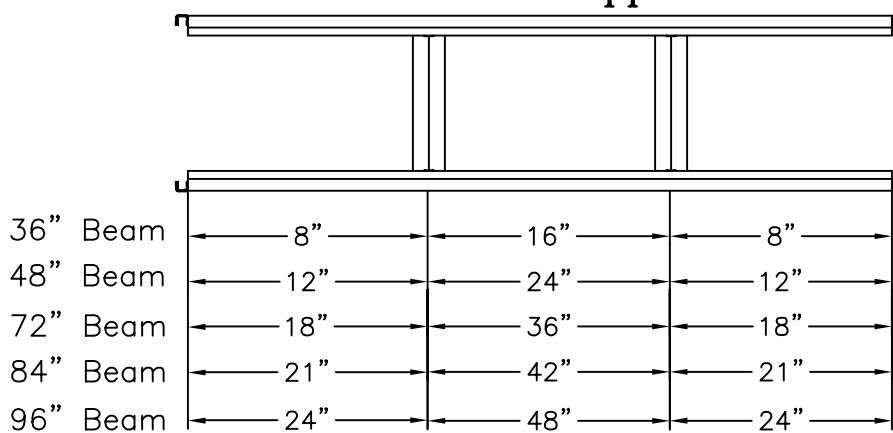


FIGURE 4A

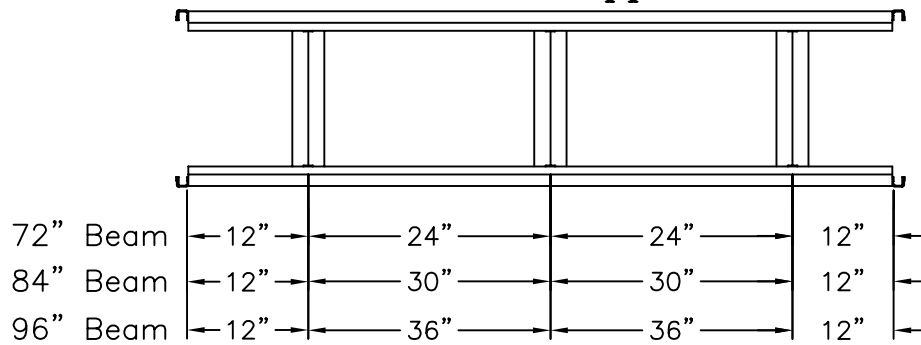
Regular Duty 2 Shelf Supports



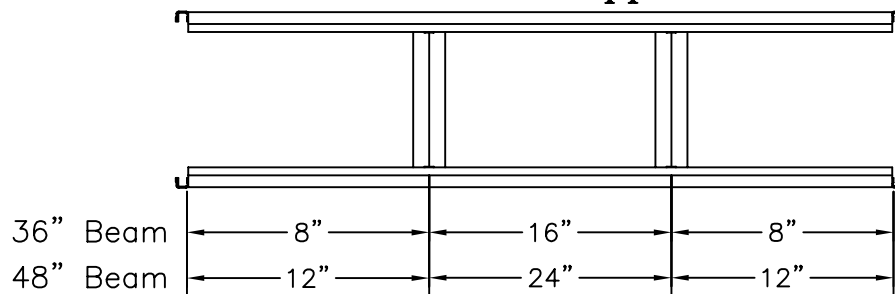
INSTALLATION INSTRUCTIONS

MULTI-FUNCTION SHELVING SYSTEM

Heavy Duty 3 Shelf Supports



Heavy Duty 2 Shelf Supports



INSTALLATION INSTRUCTIONS

MULTI-FUNCTION SHELVING SYSTEM

- d) Place the Multi-Function Wood Shelf (MFS) or Wiregrid Shelf (MFWG) between the Beams. Corner notches on the Wood Shelf fit around the MF Uprite. (SEE FIGURE 5)
- e) Adjust the leveling screws in the MF Uprites so the shelf is level from front to back. Maximum leveling screw extension is 1 3/4". (See DETAIL A)
- f) Add other MF Shelf levels as desired following Steps A through D.

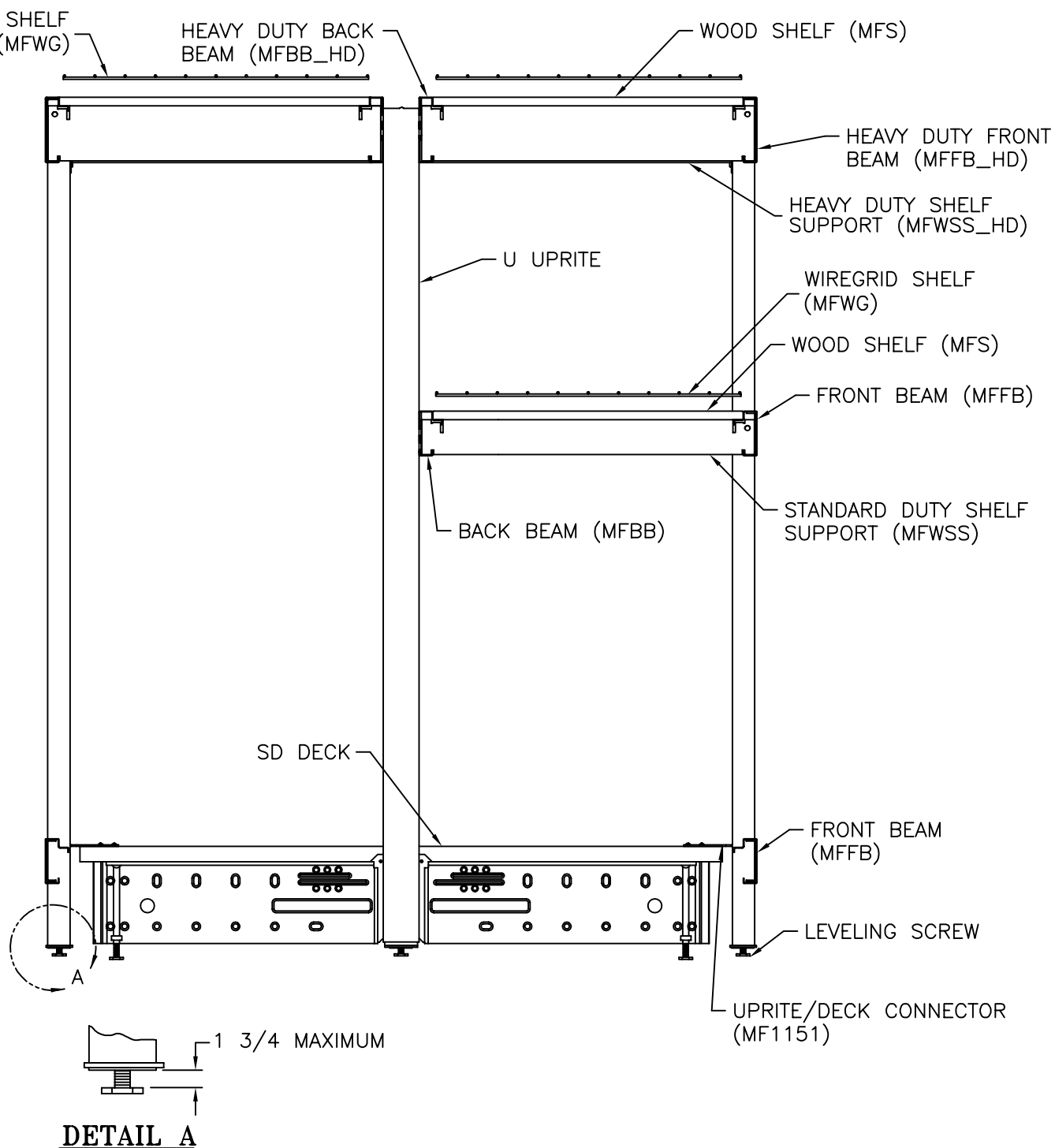


FIGURE 5

INSTALLATION INSTRUCTIONS

MULTI-FUNCTION SHELVING SYSTEM

STEP 5: If Multi-Function Wood Decks (MFD) are to be used, install a MF Front Beam (MFFB) 1/8" lower than the level of the SD Deck (SEE FIGURE 6).

NOTE: Adjust leveling leg screws on MFU to obtain 1/8" spacing. Maximum leveling screw extension is 1 3/4".

a) Place a Multi-Function Wood Deck (MFD) on the SD and on the MF Front Beam.

NOTE: MF Wood Decks are 1" longer front to back than MF Wood Shelves.

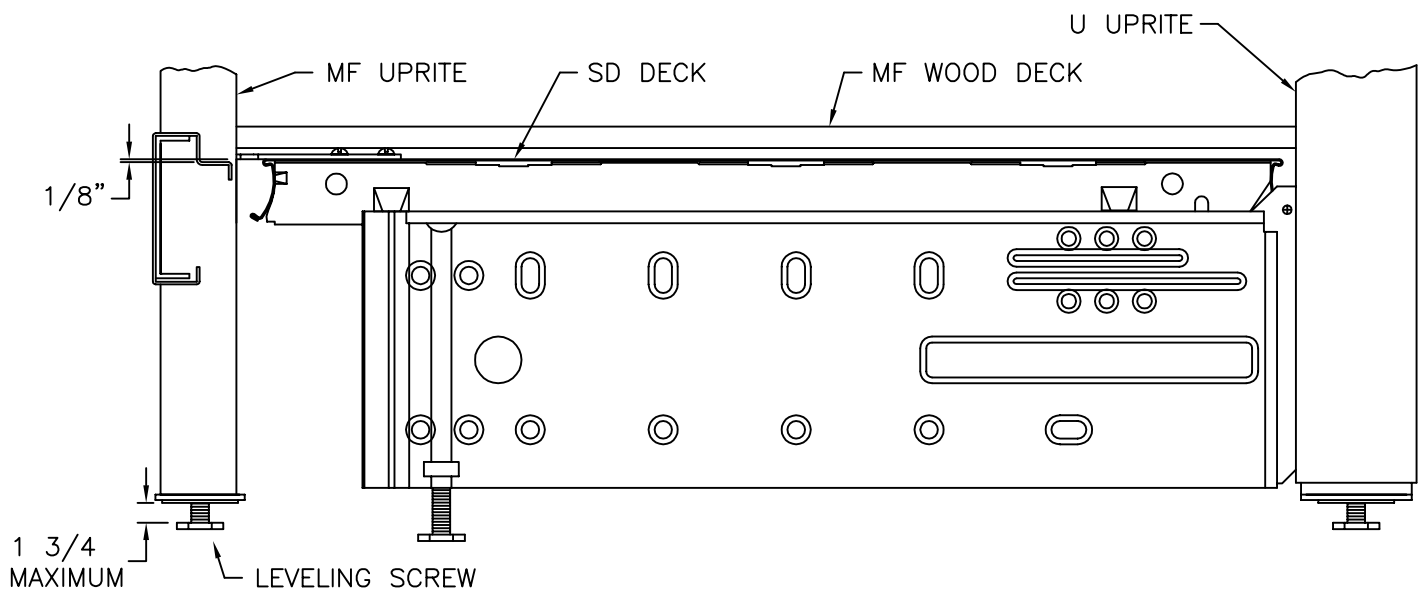


FIGURE 6

INSTALLATION INSTRUCTIONS

MULTI-FUNCTION SHELVING SYSTEM

User Instructions

POST IN CONSPICUOUS PLACE

WARNING: Overloading, misuse, abuse of Multi-Function Shelving can contribute to collapse and personal injury.

PLEASE NOTE: Personnel must be provided with safe access to all elevations of storage equipment or display fixtures via ladders, stairways, or other means in accordance with applicable OSHA regulations. In **NO** case should anyone be allowed to climb or stand on storage or display equipment.

MULTI-FUNCTION LOADING INFORMATION

Multi-Function Upright rated load when used
in conjunction with Display Upright

MFU + U = 4,000 lbs.

MFU_RE + U = 5,000 lbs.

Wood Shelf rated load (with recommended
quantity of Shelf Supports)

With 8' Standard Beams = 1,600 lbs.

With 8' Heavy Duty Beams = 3,000 lbs.

WARNING: DO NOT USE MECHANICAL EQUIPMENT TO LOAD THIS SHELVING

WARNING: These capacities are for evenly distributed loads. Concentrated loads reduce these capacities 50%.

SAFETY PRECAUTIONS: In order to assure that the Multi-Function Shelving is used in a safe manner, the following safety precautions must be observed.

1. This shelving **MUST** be installed strictly according to the manufacturer's instructions.
2. **NEVER OVERLOAD** the uprights or beams (see loading instructions above).
3. Be sure the shelving sections remain aligned.
4. If any portion of the shelving or any component is damaged, the shelving must be unloaded and the damaged portion replaced immediately.
5. If any shelf support or beam becomes partially or completely dislodged, it must be corrected immediately.
6. Do not use the installed Multi-Function Shelving as a ladder, walkway or work platform.
7. Do not lean tall or heavy items against shelving unless shelving is anchored to a suitable building wall, to the floor, or is otherwise braced to prevent overturning. The weight and force of leaning items on unanchored or unbraced shelving may cause the shelving to overturn or collapse.
8. Shelving (or racks) that are leaning or bending when loaded may indicate a dangerous overload or impending collapse. Loads should be immediately reduced, and the cause for this condition should be corrected, before reloading. Refer to appropriate installation instructions to assure shelving (or racks) are properly assembled, replace any damaged components or parts, and do not exceed recommended maximum loads or engage in any other unsafe use of the shelving (racks).

