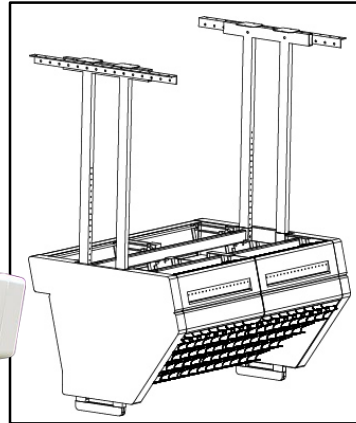


Overhead Pack Merchandiser / Leg Extension Kit



*SHOWN COUNTER MOUNT
(CONSUMER SIDE)*

NOTE: Fixture weight is 120 pounds.



*CEILING MOUNT
(CASHIER SIDE)*

Carefully read the contents of these instructions, as the instructions indicate the correct step by step procedure to assemble the product. The carton contents page(s) will identify the assembly part numbers and their descriptions. Before proceeding with the assembly process, match the carton contents to the stated contents to ensure there are no missing parts. In the event of assembly problems or missing parts, please call our customer service department at 616-842-5330.

CAUTION:

ASSEMBLED UNIT IS VERY HEAVY. DO NOT ATTEMPT TO LIFT OR MOVE WITHOUT ASSISTANCE.

THE MANUFACTURER OF THIS DISPLAY ASSUMES NO LIABILITY FOR INJURY CAUSED BY IMPROPER ASSEMBLY / INSTALLATION OF THIS DISPLAY.



WARNING:

This product contains chemicals known to the State of California to cause cancer and birth defects or other reproduction harm.

For more information, go to www.P65Warnings.ca.gov

NUMBER OF PEOPLE REQUIRED TO ASSEMBLE: 3
ESTIMATED TIME: 1 hour

TOOLS:

- #2 Phillips screwdriver
- Power driver
- Drill Bit Set
- Tape Measure
- Ladder
- Mallet
- Reciprocating Saw
- Flat Blade Screwdriver
- 5/32 Drill Bit

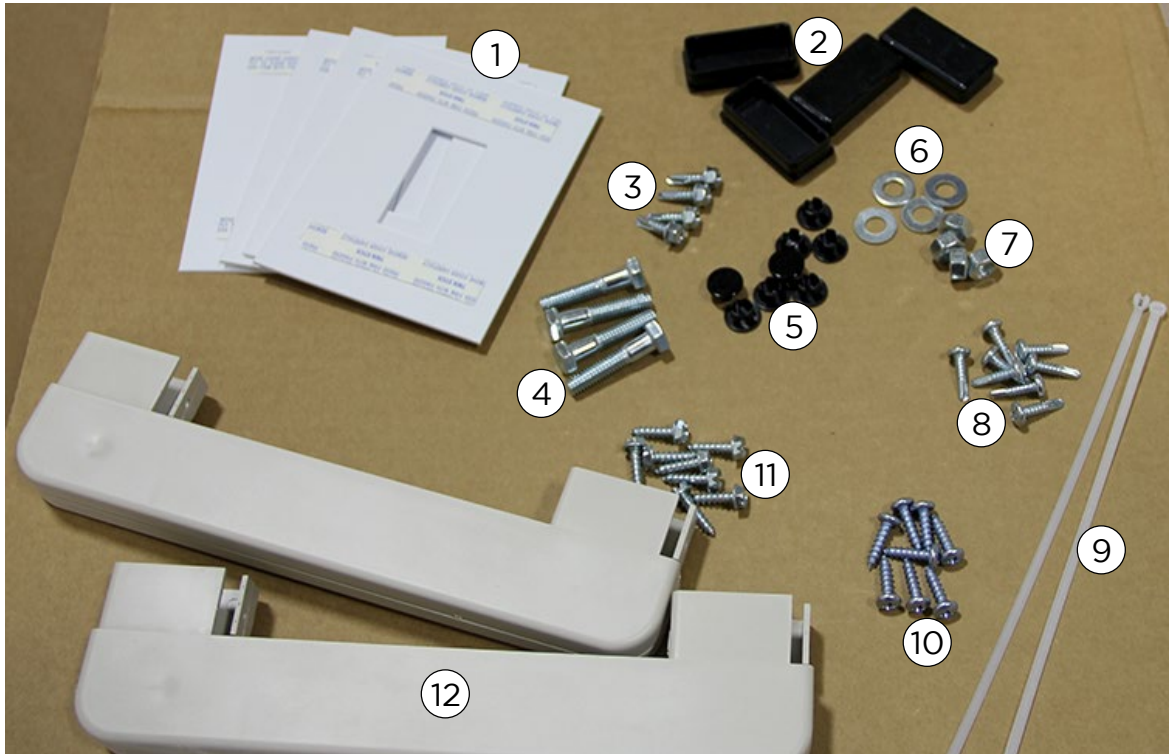
105155IS

12-18-2020

**IT IS THE RESPONSIBILITY OF THE INSTALLER TO CAREFULLY READ & FOLLOW ALL STEPS IN THE INSTRUCTIONS.

Overhead Pack Merchandiser / Leg Extension Kit

CONTENTS FOR OVERHEAD PACK MERCHANDISER (OPM):



	Part No.	Description	Qty
1	107176	SHROUD	4
2	434028	CAP GLIDE #SHK- 12RT-BK	4
3	106096	#12X3/4 DRILL POINT HEX SW ZC	4
4	48678	#5/16-18X1-1/2 HEX HD BT ZINC	4
5	48865	SNAP- IN PLUGS#T-126-1 CRAFTECH	8
6	40781	WASHER 5/16X.88X.05-.065TK ZC	4
7	40913	#5/6-18 HEX NUT-PLAIN	4

	Part No.	Description	Qty
8	44811	#10 X 3/4" PH SELF TAP SW ZC	4
9	42365	ZIPTIE TY- 526M	2
10	40113	#10X3/4 TEK PH PHL SW ZC	8
11	40216	#10X3/4 LG HEX SLTD WSHE ST SW	8
12	48801	END CAP	4
13	421286	LEG MOUNT	2
14	48813	ANGLE BRACKET, LP OPM	2

NOT PICTURED

Graphics Kit Contents (105156)		
Part No.	Description	Qty
48749	GRAPHIC PANEL FRAME	1
48756	SNAP COVER	2
48863	GRAPHIC LENS	1

105155IS

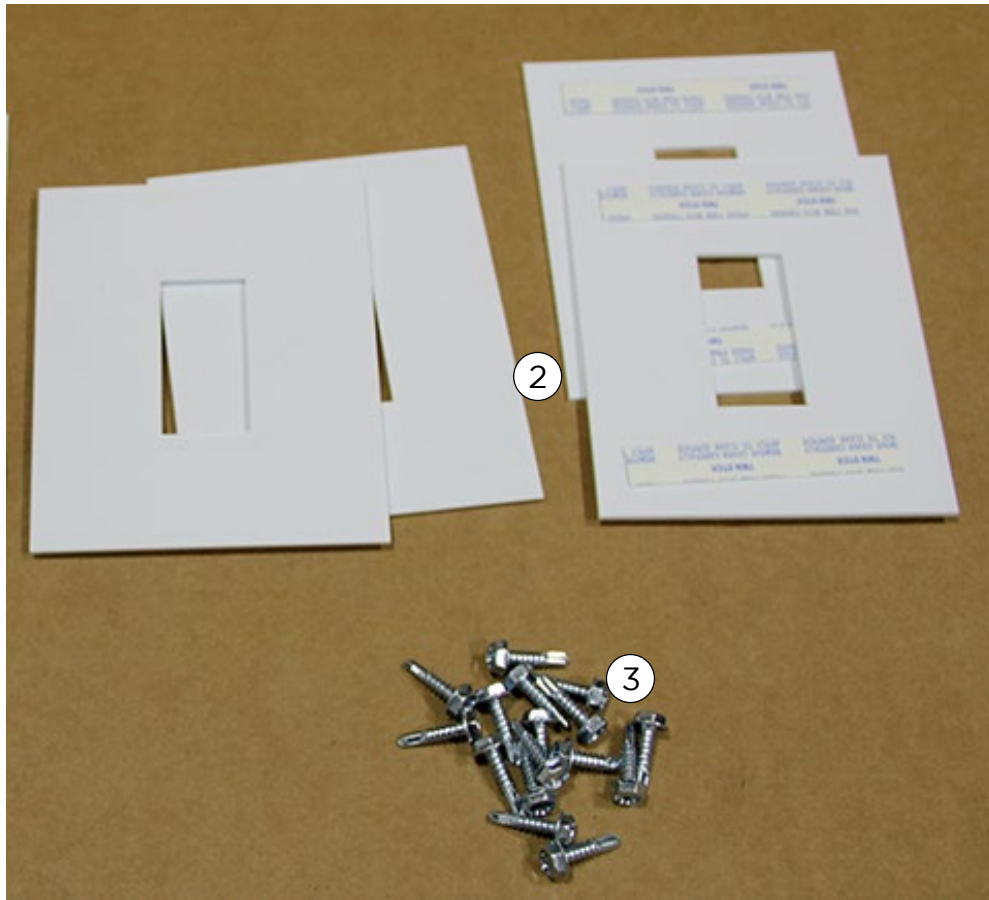
12-18-2020

**IT IS THE RESPONSIBILITY OF THE INSTALLER TO CAREFULLY READ & FOLLOW ALL STEPS IN THE INSTRUCTIONS.

HARBOR

Overhead Pack Merchandiser / Leg Extension Kit

CONTENTS FOR LEG EXTENSION KIT:



	Part No.	Description	Qty
1	423007	OVERHEAD PACK EXTENDER ASSY	4
2	107176	SHROUD	4
3	107485	#10X3/4 TEK HEX WSHR HD ZC	16

105155IS

12-18-2020

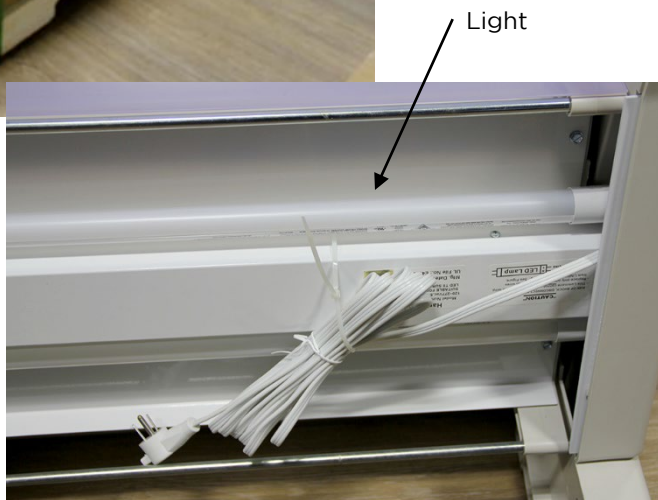
**IT IS THE RESPONSIBILITY OF THE INSTALLER TO CAREFULLY READ & FOLLOW ALL STEPS IN THE INSTRUCTIONS.

HARBOR

Overhead Pack Merchandiser / Leg Extension Kit



Cut Lines



Light

OVERHEAD PACK MERCHANDISER (OPM) PRE-ASSEMBLY

- Open the sides of the large carton containing the Overhead Pack Merchandiser (OPM). Cutting along the lines provided will assist in removing the unit from the package.
- Find the light cord attached to the merchandiser and plug in to make sure lights work.

NOTICE

If lights are damaged when received, notify the carrier immediately. They will make an inspection and furnish a concealed damage report.

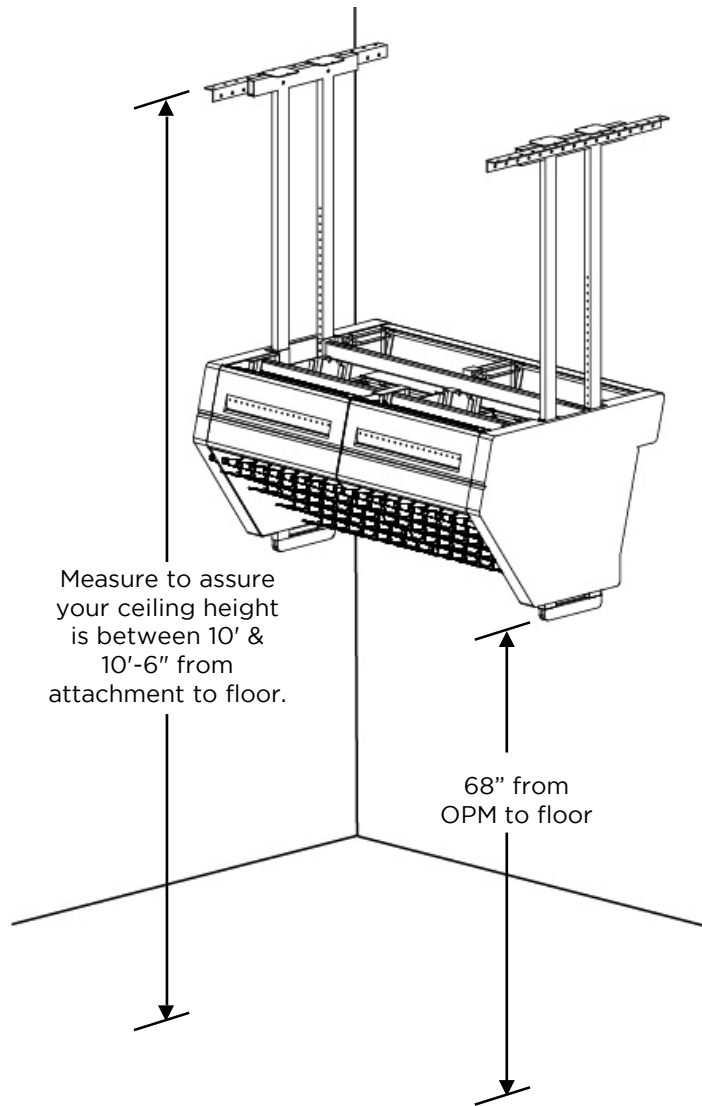
For Ceiling Mount Merchandiser, refer to pages 5 through 9 and 11 and 16. For Counter Mount Merchandiser, refer to pages 10 through 14.

105155IS

12-18-2020

**IT IS THE RESPONSIBILITY OF THE INSTALLER TO CAREFULLY READ & FOLLOW ALL STEPS IN THE INSTRUCTIONS.

Overhead Pack Merchandiser / Leg Extension Kit



CEILING MOUNT - ASSEMBLY

The optimum height from the floor to the bottom of the Merchandiser is 68". Using the supplied Universal Mount hardware, the support structure for the OPM must be mounted between 10'-0" and 10'-6" above the floor (120"-126").

A Leg Extension Kit, available from the manufacturer, is required if the support structure is greater than 10'-6" and less than 12'-3" from the floor. See instructions for Leg Extension Kit on Sheet 15.

NOTICE

Modifications of the supplied Universal Mount is necessary if the ceiling support structure is LESS than 10'-0" from the floor. Modifications are at the responsibility/liability of the installer.

CAUTION

Weight of fixture is 120 pounds. Ceiling support structure must be rated to hold this amount of weight at a minimum.

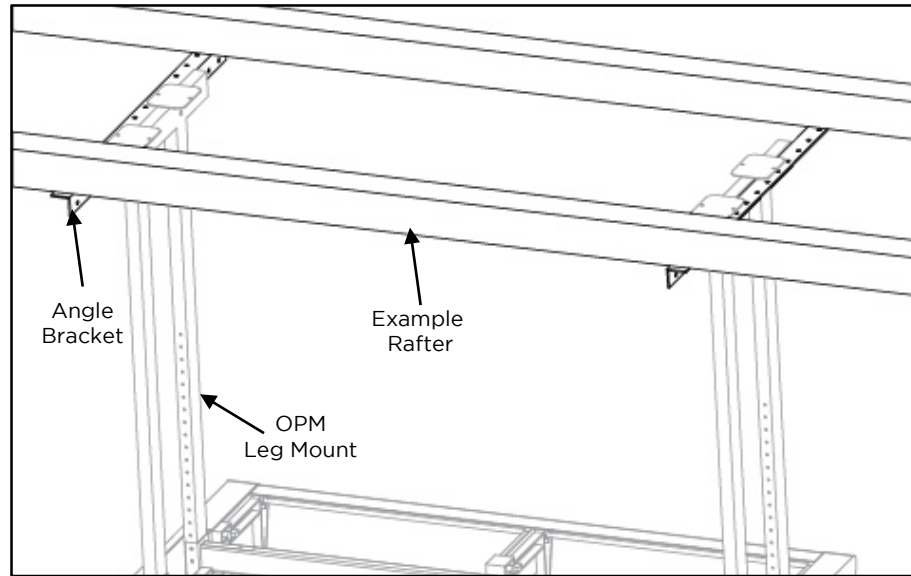
105155IS

12-18-2020

**IT IS THE RESPONSIBILITY OF THE INSTALLER TO CAREFULLY READ & FOLLOW ALL STEPS IN THE INSTRUCTIONS.

HARBOR

Overhead Pack Merchandiser / Leg Extension Kit



CEILING MOUNT - ASSEMBLY

CAUTION

The Ceiling Mount installation of this Merchandiser requires three people. Two to lift the unit and one to attach the hardware.

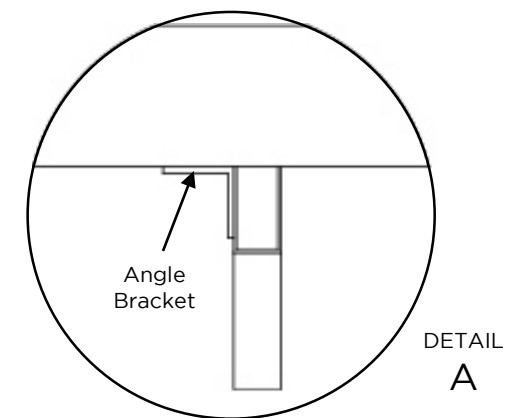
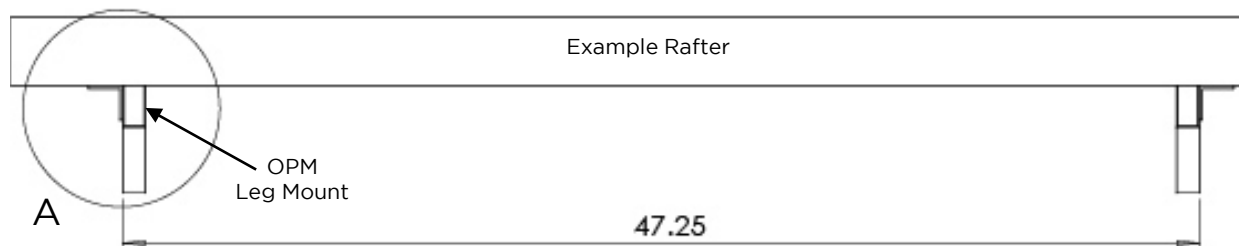
STEP 1

Remove the Angle Brackets from the Universal Mount Kit. Mount the Angle Brackets to the ceiling support structure above the Ceiling.

Be sure the distance between the angles is equal to the distance between the uprights of the Merchandiser.

IMPORTANT

It is the responsibility of the installer to assure that the Angle Brackets are securely mounted to the ceiling support structure at the measurement noted below.

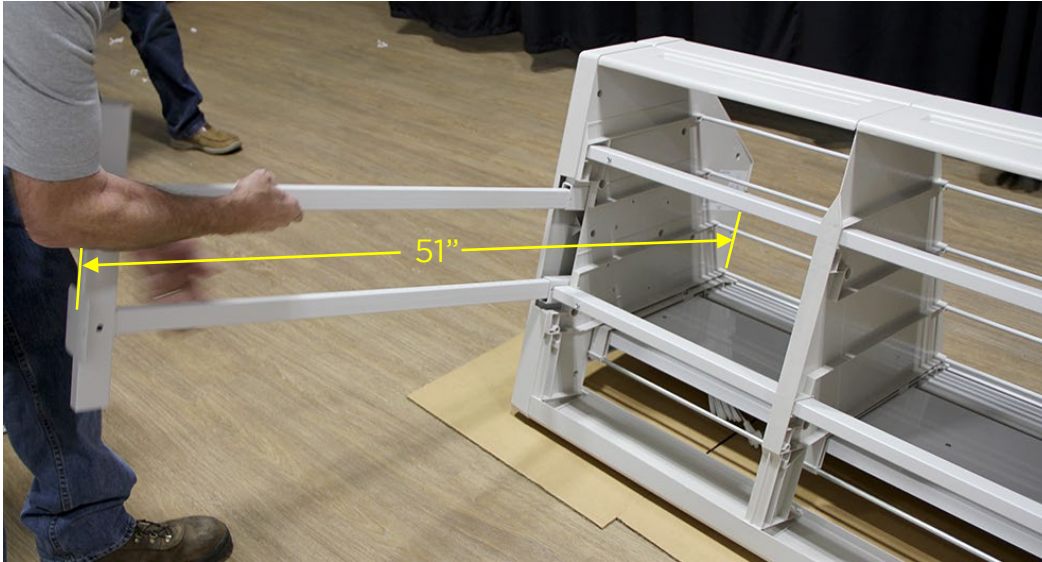


105155IS

12-18-2020

**IT IS THE RESPONSIBILITY OF THE INSTALLER TO CAREFULLY READ & FOLLOW ALL STEPS IN THE INSTRUCTIONS.

Overhead Pack Merchandiser / Leg Extension Kit



CEILING MOUNT - ASSEMBLY

STEP 2

Remove the Merchandiser from the Shipping Carton and place it face down. Remove Trays for later placement.

Insert the ends of the Universal Mount into the top of the tubes in Merchandiser.

For ceiling heights between 10'-0" to 10'-6", measure 51" from the bottom of the Merchandiser to the Top of the Universal Mount and mark the closest hole. This will place the bottom of the Merchandiser at approximately 68" above the floor. To mount the unit higher off the floor subtract from the 51" accordingly.

Fasten to the tubes in the Merchandiser using #10 X 3/4" slotted Hex Head Screws. Pull on the Universal Mount to make sure it does not come out. Repeat for the other side.



NOTICE

Measurements greater than 119" require an Extension Kit (sold separately from manufacturer). See Sheet 15.

105155IS

12-18-2020

**IT IS THE RESPONSIBILITY OF THE INSTALLER TO CAREFULLY READ & FOLLOW ALL STEPS IN THE INSTRUCTIONS.

SHEET 7 OF 17

HARBOR

Overhead Pack Merchandiser / Leg Extension Kit

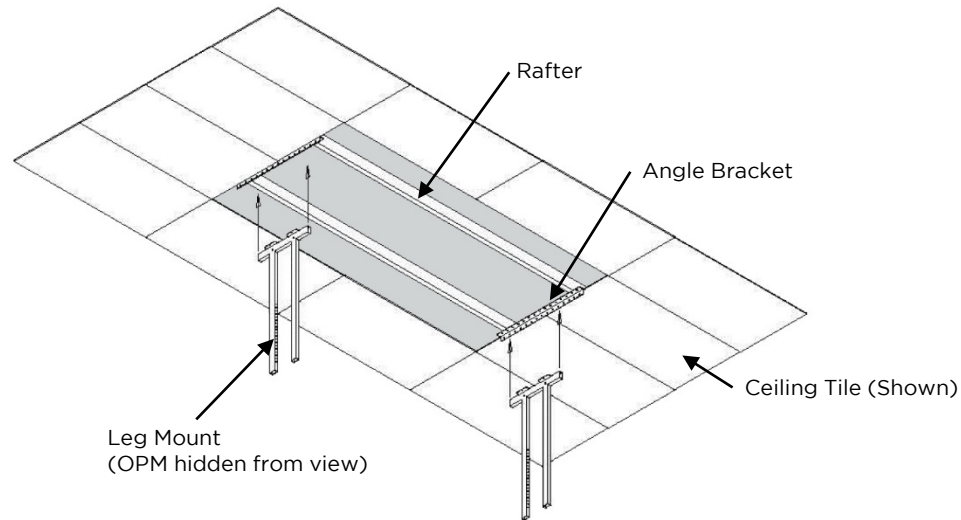


CEILING MOUNT - ASSEMBLY

STEP 3

Attach the Plastic End Caps to the lower end of the Uprights. There are four pieces. Two pieces make an End Cap. Attach using two #10 X $\frac{3}{4}$ " Philips Pan Head Screws in each end.

Overhead Pack Merchandiser / Leg Extension Kit



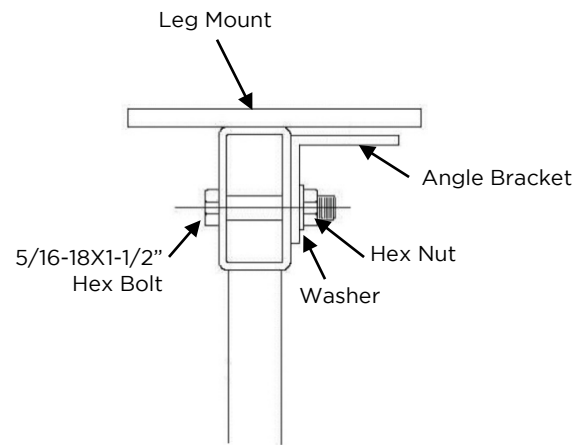
CEILING MOUNT - ASSEMBLY

STEP 4

Lift OPM in place and using two 5/16-18 X 1-1/2" Hex Bolts, Washers and Hex Nuts, attach each Leg Mount to an Angle Bracket.

CAUTION

Two or more people are needed for this step. It is the responsibility of the installer to assure that the Leg Mounts are properly secured to Angle Brackets & the ceiling support structure.



When holes are cut in ceiling tiles. Shrouds can be slipped over Leg Mounts (adhesive side up) **PRIOR TO INSTALLATION.** Shrouds stick to ceiling tiles to cover up holes cut in tiles.



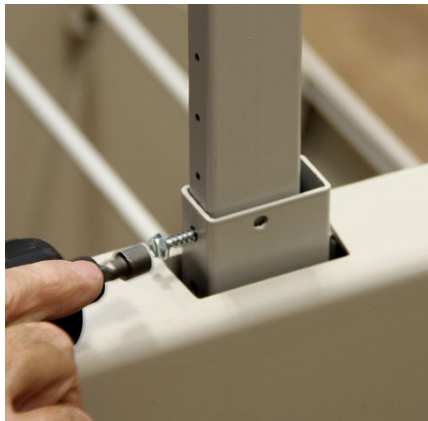
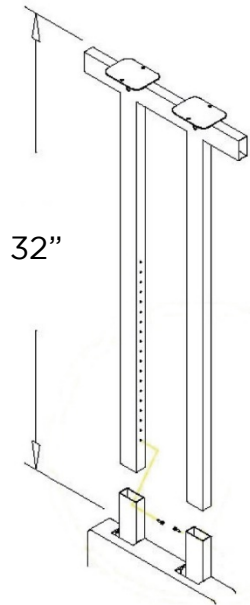
GO TO SHEET 11 TO COMPLETE SETUP

105155IS

12-18-2020

**IT IS THE RESPONSIBILITY OF THE INSTALLER TO CAREFULLY READ & FOLLOW ALL STEPS IN THE INSTRUCTIONS.

Overhead Pack Merchandiser / Leg Extension Kit



COUNTER MOUNT - ASSEMBLY

CAUTION

The Counter Mount installation of this Merchandiser requires two people.

STEP 1

Unpack carton containing Universal Mount. Insert the ends of the Universal Mount into the bottom of the Tubes in the Merchandiser as shown.

Decide your counter clearance. The optimum height from floor to the bottom of the Merchandiser is 68". (See Illustration, Sheet 11). Measure the height of your counter and subtract it from 68".

Example: If top of counter is 36" from floor, subtract 36 from 68. Set leg and 32" from bottom of Merchandiser.

Be sure to align hone in leg with hole in Merchandiser. Insert #10X3/4" slotted hex head screw through hole in Merchandiser and into leg. Be sure to tighten screws that hold both legs in position.

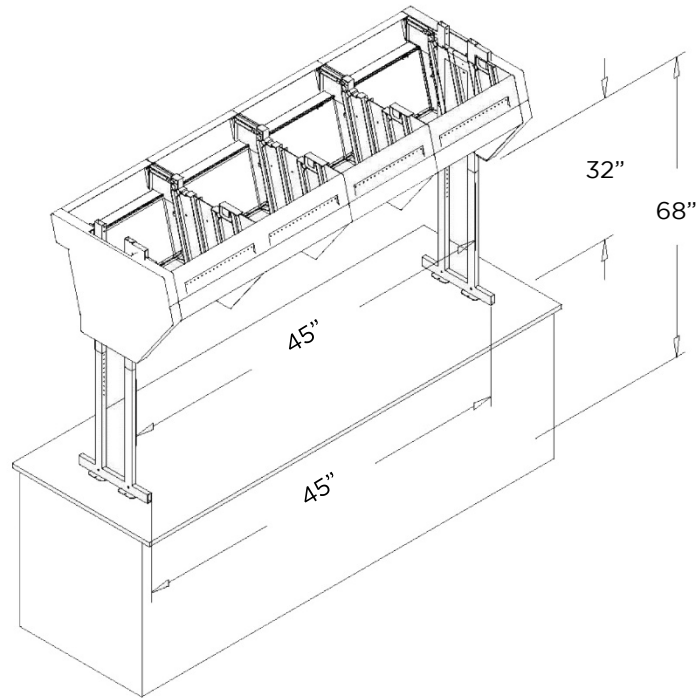
105155IS

12-18-2020

**IT IS THE RESPONSIBILITY OF THE INSTALLER TO CAREFULLY READ & FOLLOW ALL STEPS IN THE INSTRUCTIONS.

HARBOR

Overhead Pack Merchandiser / Leg Extension Kit



COUNTER MOUNT - ASSEMBLY

STEP 2

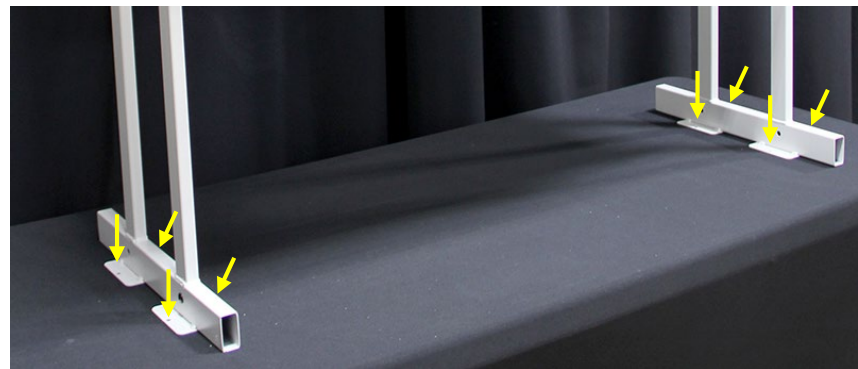
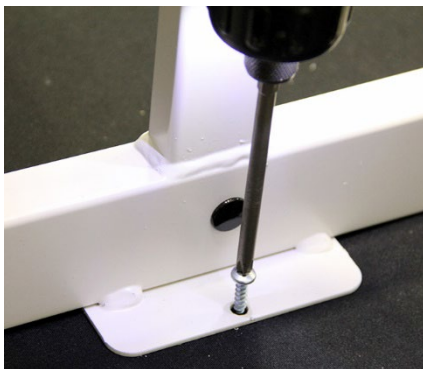
Carefully lift the Merchandiser up, and place it on the counter as close to its final position as possible.

Check that the legs are straight. Measure the distance between the legs at the point where the legs and the merchandiser meet. Next, measure the distance between the legs where they attach to the counter. These measurements should be the same.

Using a 5/32" bit, drill holes through feet and secure Counter Mount legs to counter top with eight #10X3/4" long Phillips Pan Head screws.

If running the electric cord more than ten (10) feet to an outlet, the use of a grounded heavy duty extension cord is recommended.

Once the unit is fastened to counter, locate nearest 110 volt outlet, route cord under the trays and down back side of the leg nearest the outlet. Use Zip Tie Straps to keep cord management along a leg of the OPM.



CAUTION

It is the installer's responsibility to make sure that the appropriate hardware for the surface is used.

105155IS

12-18-2020

**IT IS THE RESPONSIBILITY OF THE INSTALLER TO CAREFULLY READ & FOLLOW ALL STEPS IN THE INSTRUCTIONS.

HARBOR

Overhead Pack Merchandiser / Leg Extension Kit



COMPLETING SET-UP

CHANGING HEADER BRAND GRAPHIC

- Carefully remove the snap covers from both sides of Graphic Panel.
- Remove protective blue film.
- Insert Header Brand Graphic by bowing slightly and fitting into the Graphic Panel.
- Attach both Snap Covers.

GRAPHIC PANEL

- Now hook the Graphic Panel over the top rail and snap it into place on Lower Rod.
- Insert the Prismatic Top Lens in position above the Graphic Panel.



105155IS

12-18-2020

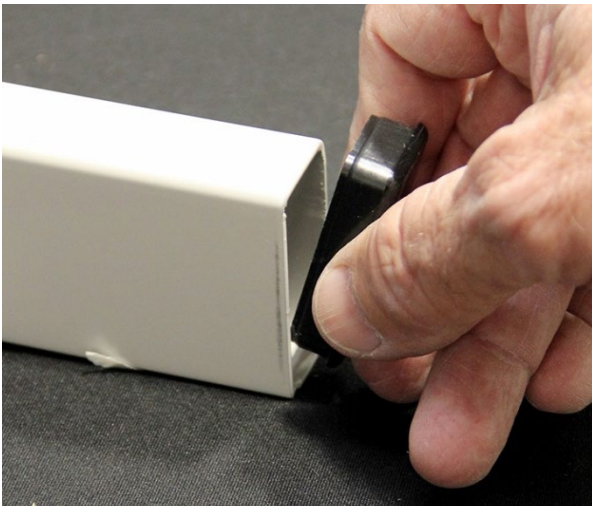
**IT IS THE RESPONSIBILITY OF THE INSTALLER TO CAREFULLY READ & FOLLOW ALL STEPS IN THE INSTRUCTIONS.

Overhead Pack Merchandiser / Leg Extension Kit



COMPLETING SET-UP

- Insert Lens.
- Insert (4x) Caps in ends of Leg Mounts.
- Insert (8x) Snap-In Plugs in holes at sides of Leg Mounts on each side.



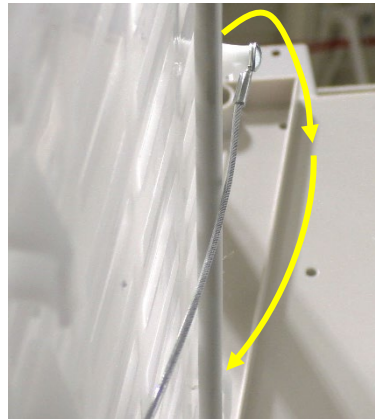
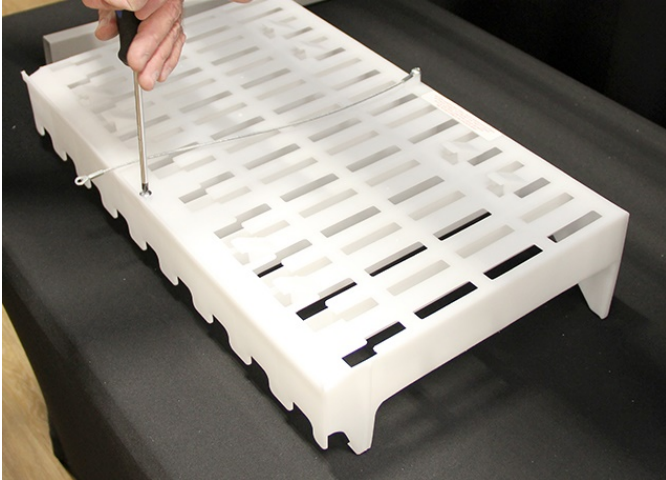
105155IS

12-18-2020

**IT IS THE RESPONSIBILITY OF THE INSTALLER TO CAREFULLY READ & FOLLOW ALL STEPS IN THE INSTRUCTIONS.

HARBOR

Overhead Pack Merchandiser / Leg Extension Kit



COMPLETING SET-UP

Inserting trays and fastening security cable in place.

- Place trays in the appropriate slots in OPM. The shorter tray with the longest pack retainer fits into the top row. The second row is the shorter trays with the regular size pack retainer. The bottom two rows contain the larger trays.

CAUTION:

The tray safety cables must now be attached to the unit. Lower each tray to its loading position. Attach the safety cables on the back of each tray by fishing the cable underneath the support cross bars and fastening with #8X1/2" Pan Head screw through eyelet onto screw boss.

- The trays are now ready to be merchandised, to load, lower each tray by pushing and lifting up the front of the tray to release the hooks from the crossbar.
- Carefully slide the tray down to fill return the tray to its normal position when done

105155IS

12-18-2020

**IT IS THE RESPONSIBILITY OF THE INSTALLER TO CAREFULLY READ & FOLLOW ALL STEPS IN THE INSTRUCTIONS.

SHEET 14 OF 17

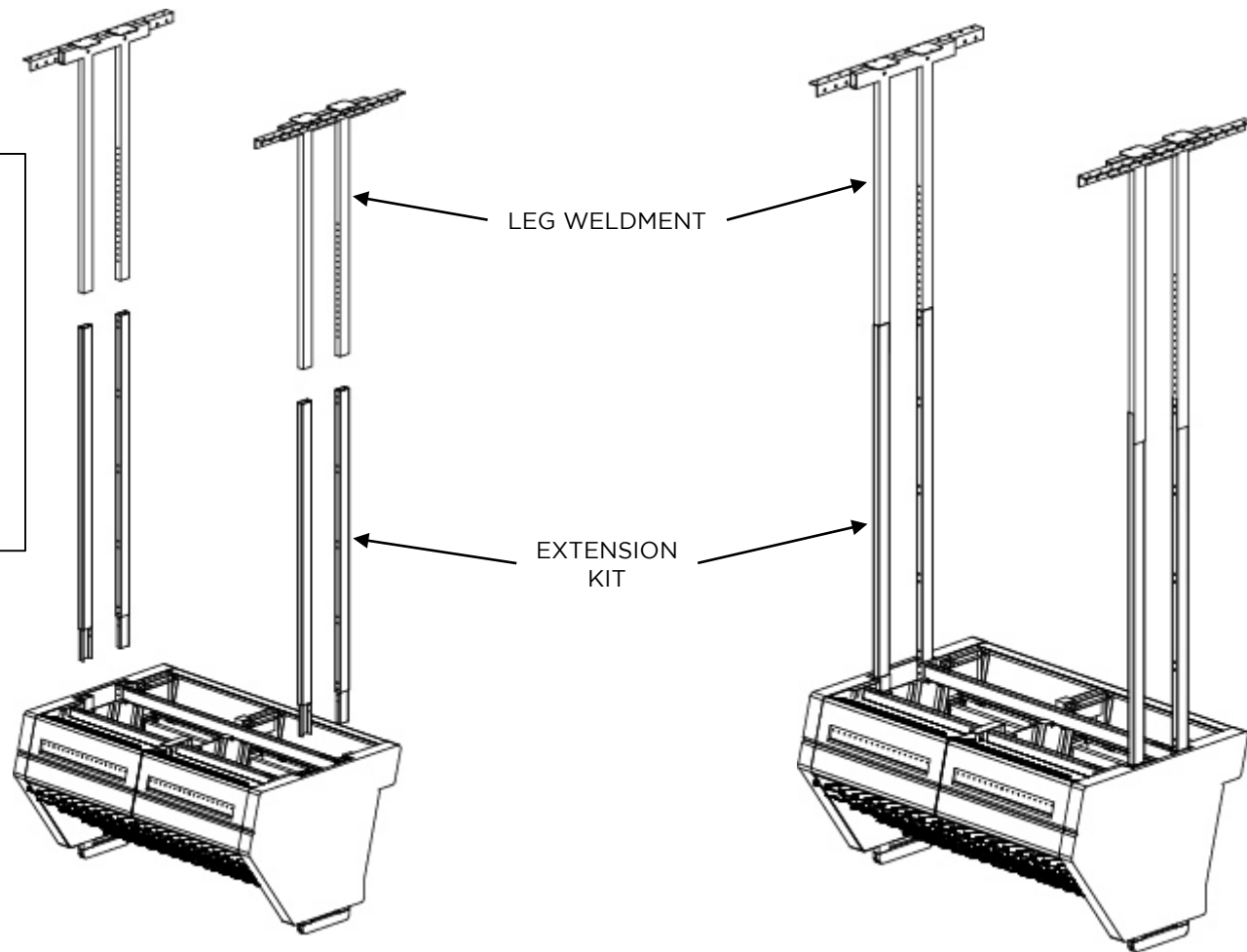
HARBOR

Overhead Pack Merchandiser / Leg Extension Kit

OPM LEG EXTENSION KIT
(ORDERED SEPARATELY)

WARNING:

Recommended use is one Leg Extension Kit per Overhead Pack Merchandiser(OPM).
Installation of more than one Leg Extension Kit per OPM is at the sole responsibility & liability of the installer.



105155IS

12-18-2020

**IT IS THE RESPONSIBILITY OF THE INSTALLER TO CAREFULLY READ & FOLLOW ALL STEPS IN THE INSTRUCTIONS.

HARBOR

Overhead Pack Merchandiser / Leg Extension Kit

NOTICE:

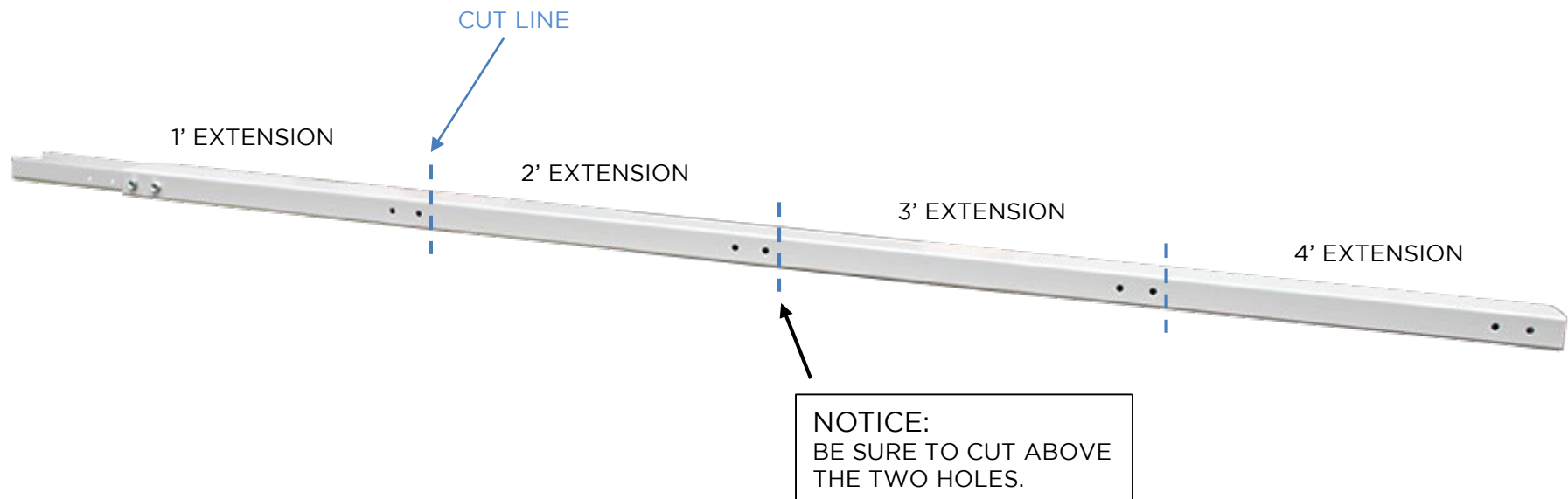
The Extension Kit is designed for ceiling structures up to 14 feet from the floor.

OPM LEG EXTENSION KIT

(ORDERED SEPARATELY)

STEP 1

Verify the amount of extension needed. The Extension Kit is designed for ceiling structures up to 14 feet from the floor. If shorter extensions are needed, cutting the extension legs may be required. The extension legs have two holes in 1 foot increments. The legs may be cut above the holes at any required length, as shown below.



105155IS

12-18-2020

**IT IS THE RESPONSIBILITY OF THE INSTALLER TO CAREFULLY READ & FOLLOW ALL STEPS IN THE INSTRUCTIONS.

Overhead Pack Merchandiser / Leg Extension Kit

NOTICE:

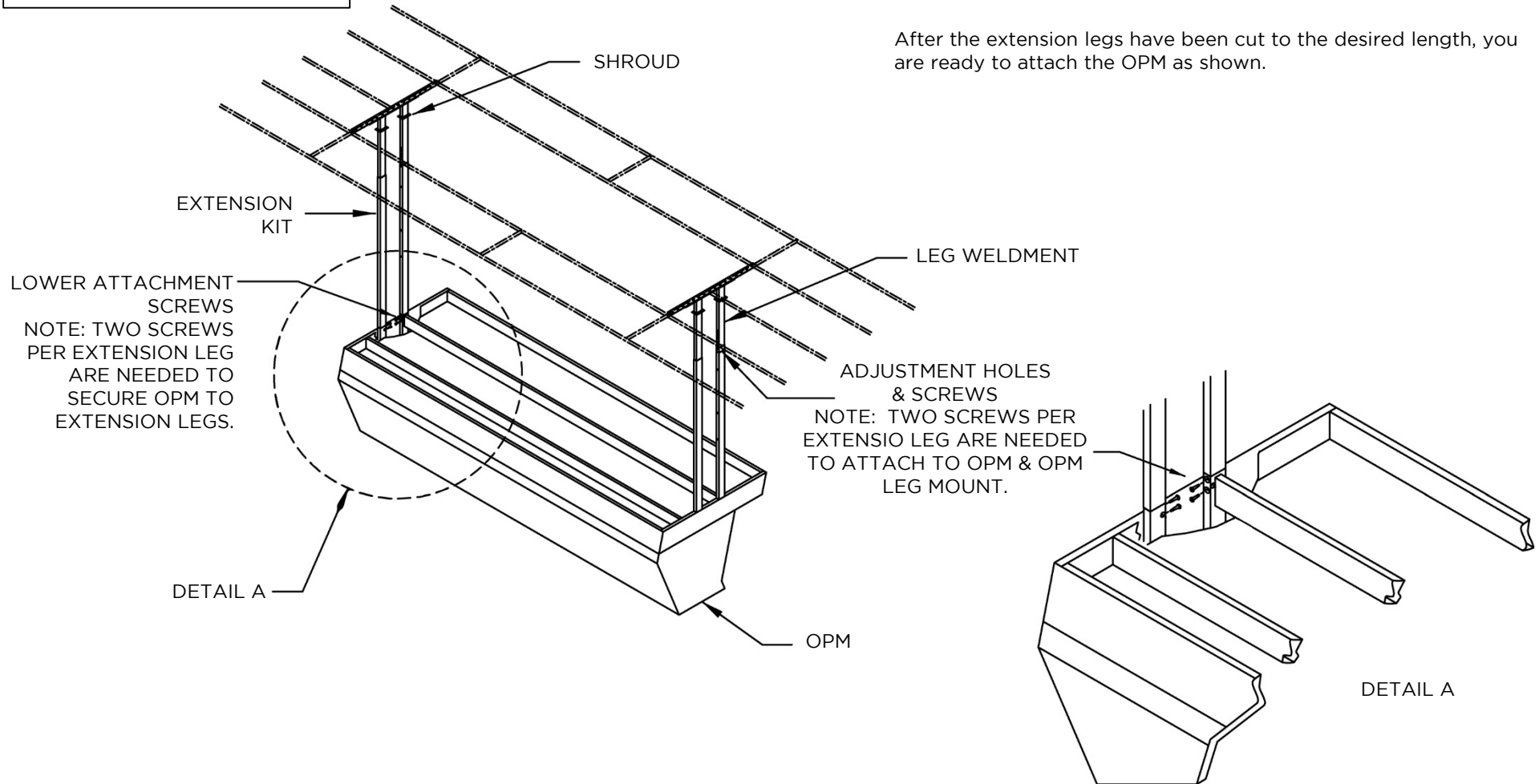
The unit you are installing may only have 1 screw hole provided

OPM LEG EXTENSION KIT

(CONTINUED INSTRUCTIONS)

STEP 2

After the extension legs have been cut to the desired length, you are ready to attach the OPM as shown.



105155IS

12-18-2020

**IT IS THE RESPONSIBILITY OF THE INSTALLER TO CAREFULLY READ & FOLLOW ALL STEPS IN THE INSTRUCTIONS.