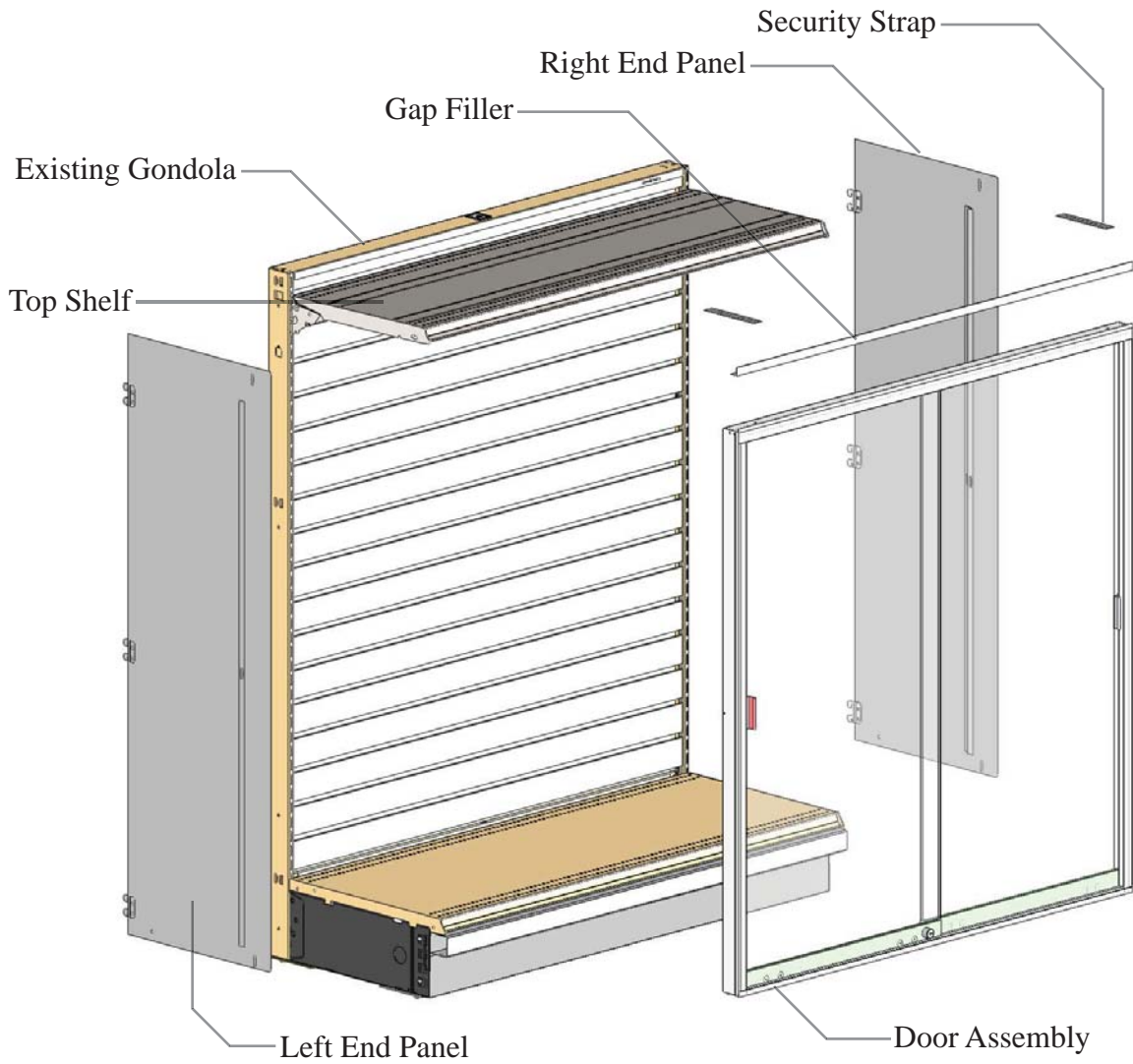




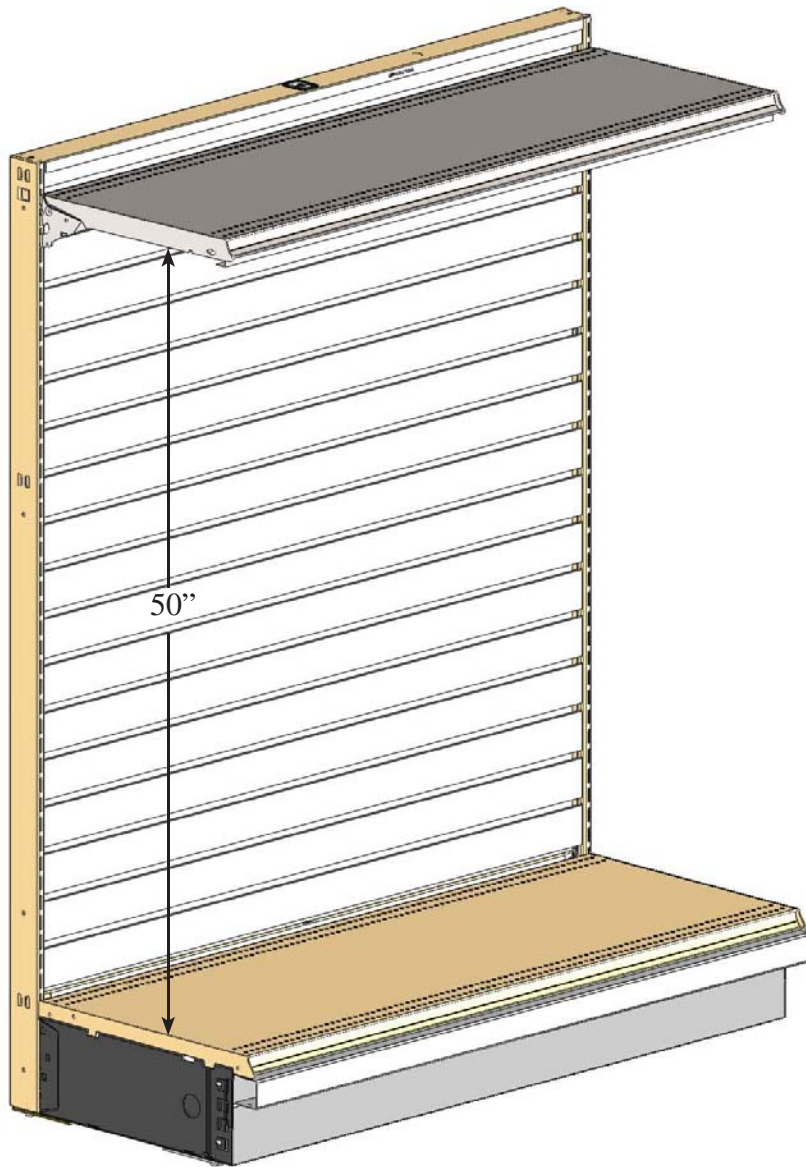
SECURITY CASE ASSEMBLY INSTRUCTIONS



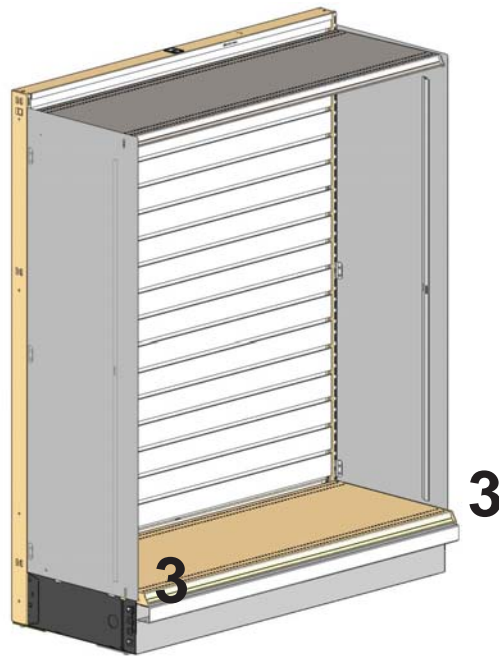
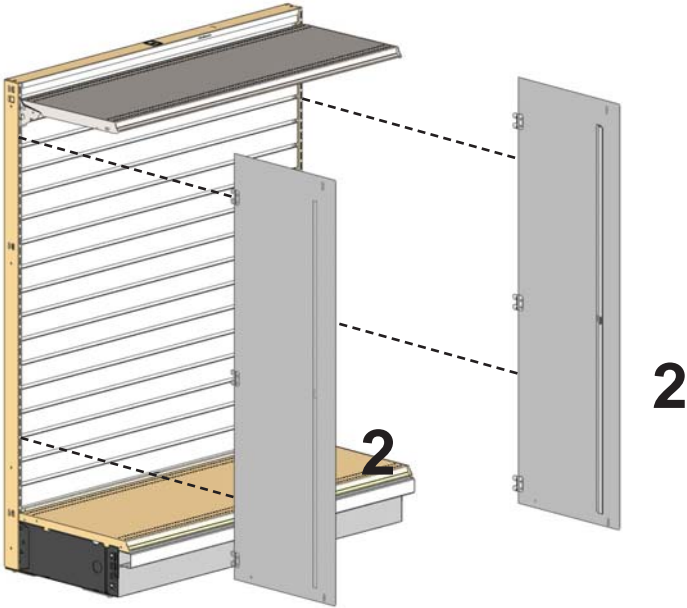
HARDWARE INCLUDED

QTY	PART #	DESCRIPTION
8	00060-3166	#10X1/2 Phillips Pan-Head Sheet Metals Screw
2	00060-1370	#10-16X3/4 Tek Screw

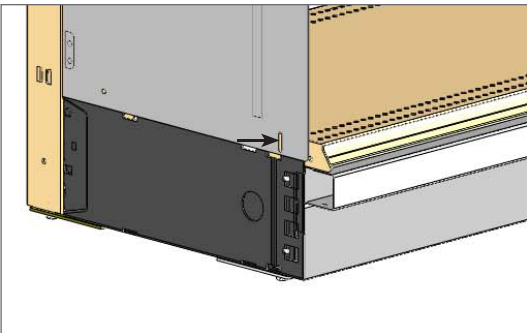
- 1 Place the top shelf into the gondola at the desired height. For example, if you want to build a 16"x48"x50" security case, you would place the top shelf approximately 50" from the bottom of the shelf to the top of the deck. See below.

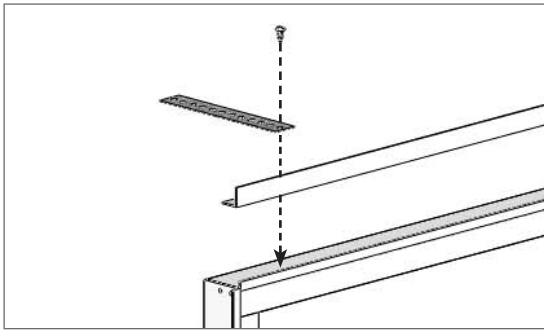


- 2** Install the end panels by engaging the hooks into the slots of the upright. When installed correctly the end panel will slightly overlap the top shelf.



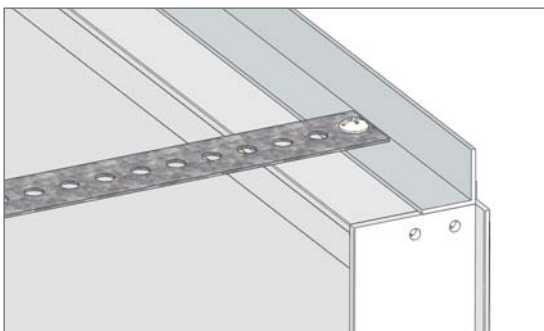
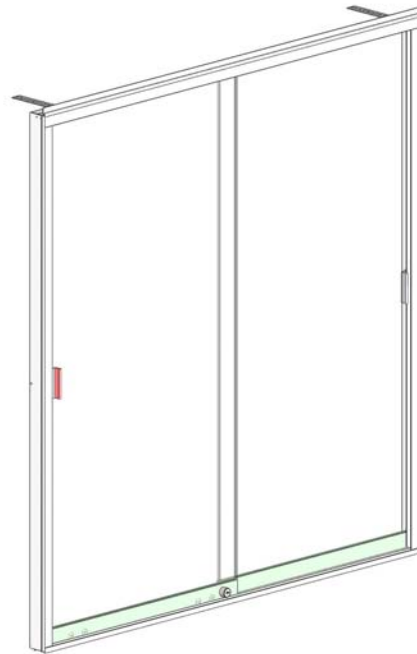
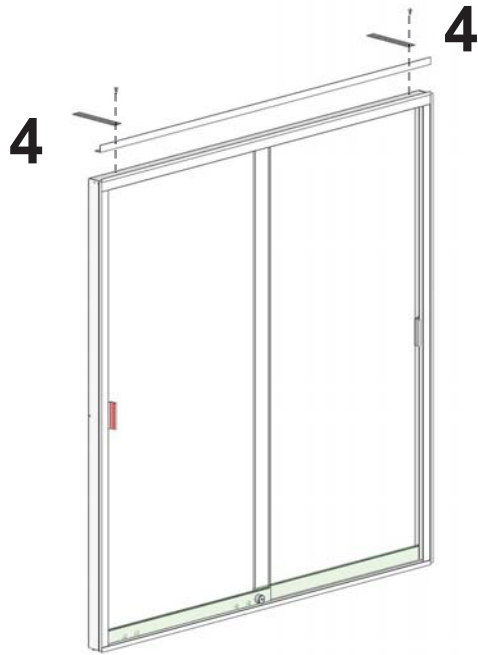
- 3** Secure the end panels to the deck using a #10-16 x 3/4 TEK screw.

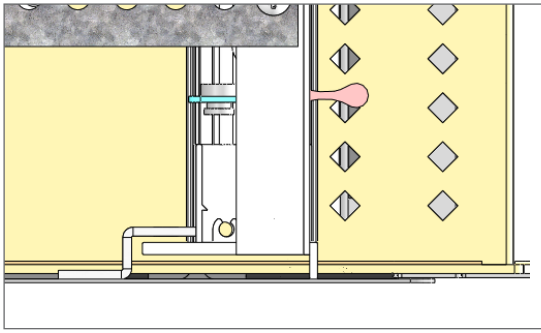




4 Secure the strap and gap filler to the door assembly using (2) #10X1/2 sheet metal screws. See the illustrations on this page for proper installation.

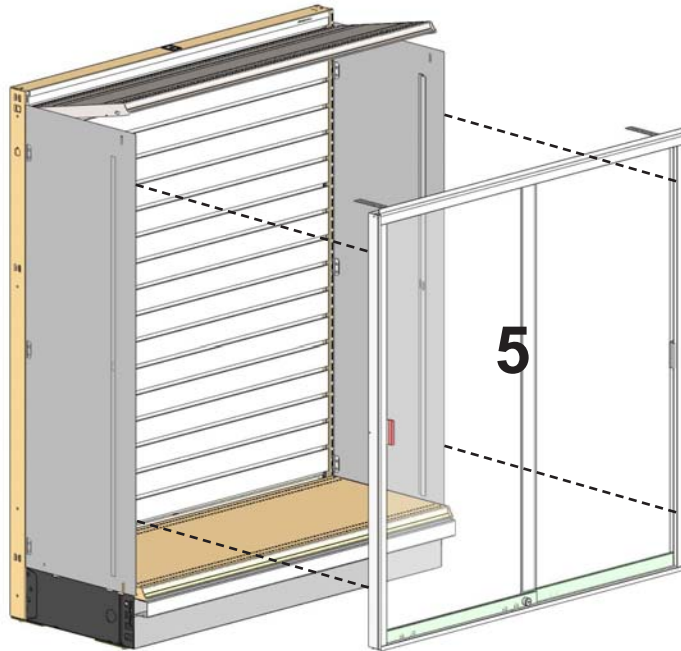
Note: No gap filler needed when installing on Nordic MX gondolas.

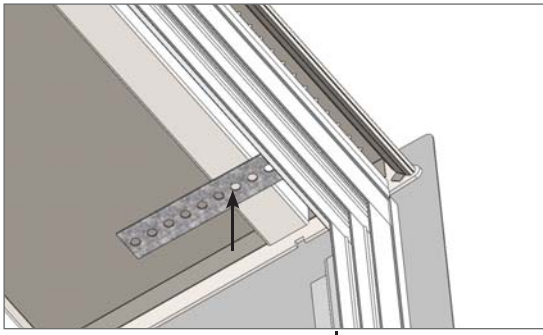




5

Read step 6 before continuing. Install the door assembly by engaging the sides of the door assembly into the “S” shaped groove of the end panels. You may need to tip the top shelf to clear the door assembly. See the figures on this page. Some items not pictured for clarity.





6 Secure the door assembly to the deck, end panels, and top shelf using (6) #10X1/2 sheet metal screws. The figures on this page show the locations of the screws.

