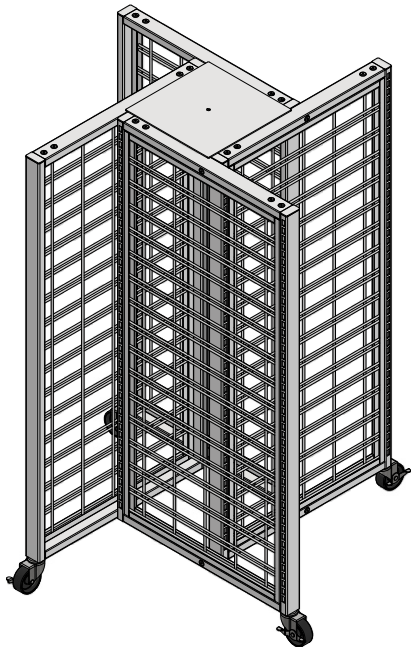
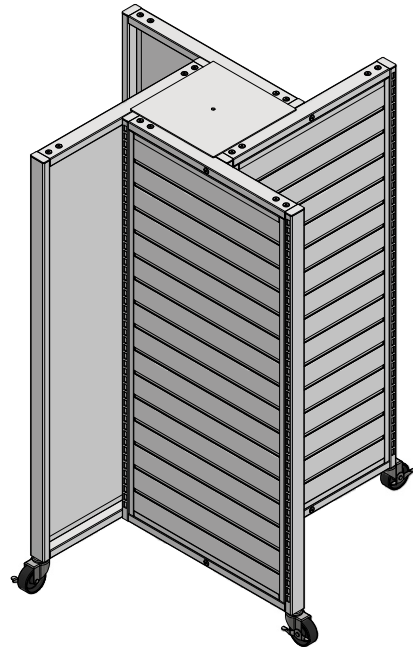


4 WAY PARTS LIST		
ITEM	PART NUMBER	QTY
1	FRAME UPRITE RH	4
2	FRAME UPRITE LH	4
3	FRAME CONNECTOR	8
4	PANEL	4
5	TOPPER	1
6	LOCKING CASTER	4
7	1/4-20 X 1/2" SCREW	32
8	3/8-16 X 2 1/2" SCREW	8
9	HEX WRENCH	1
10	HEX WRENCH	1

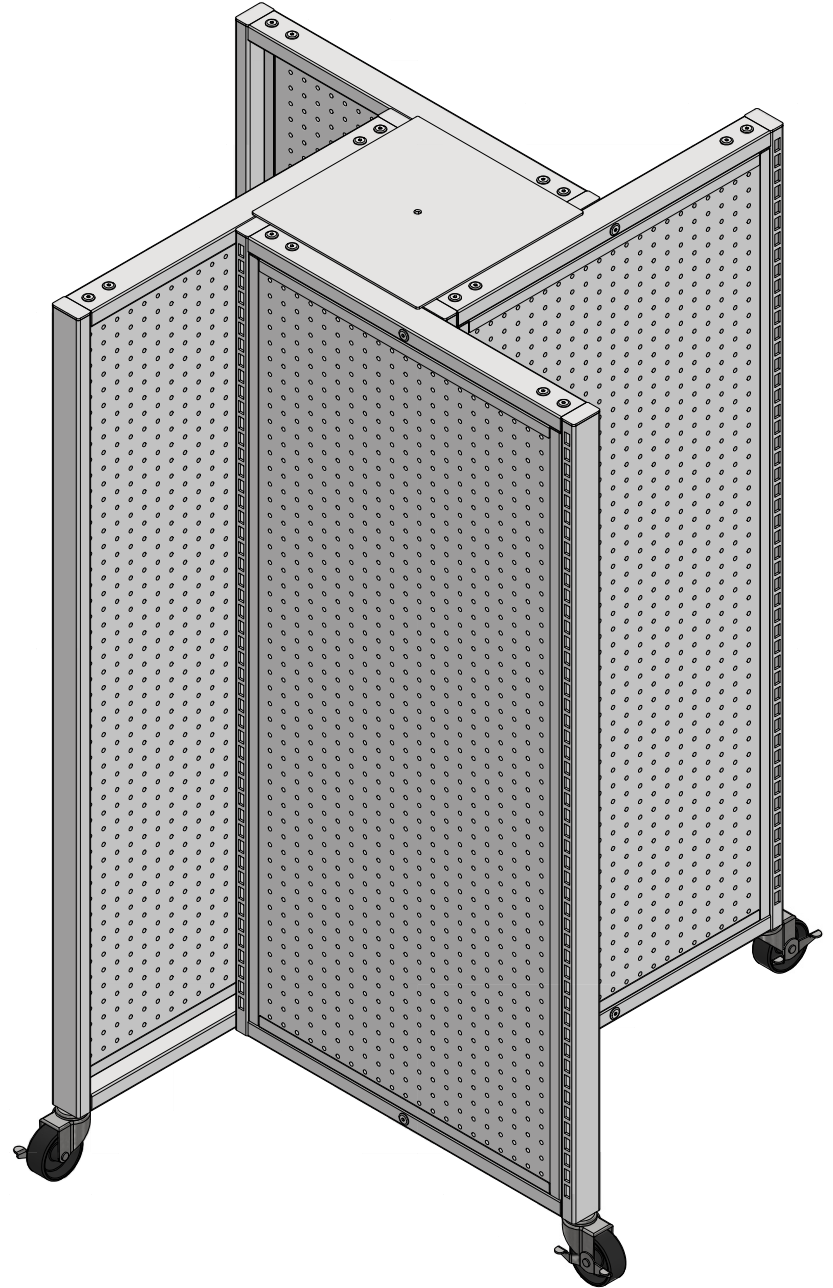
NOTE:  
FOR ILLUSTRATION PURPOSES, THE PEGBOARD VERSION  
WILL BE USED FOR THESE ASSEMBLY INSTRUCTIONS.



SLOT GRID VERSION

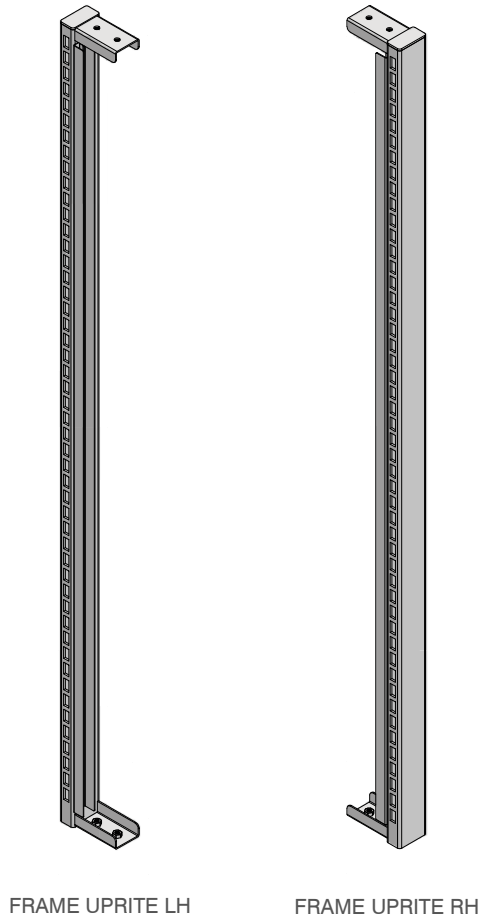


SLATWALL VERSION



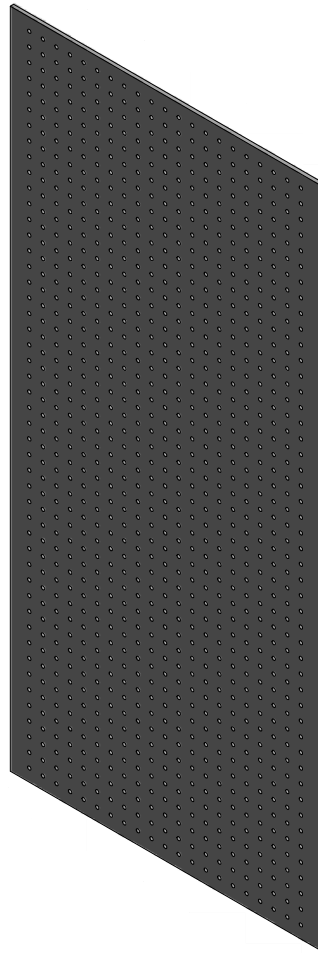
PEGBOARD VERSION

PANEL OPTIONS

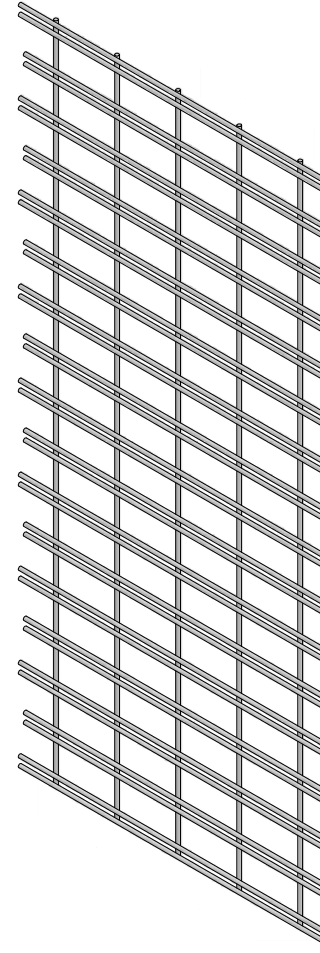


FRAME UPRITE LH

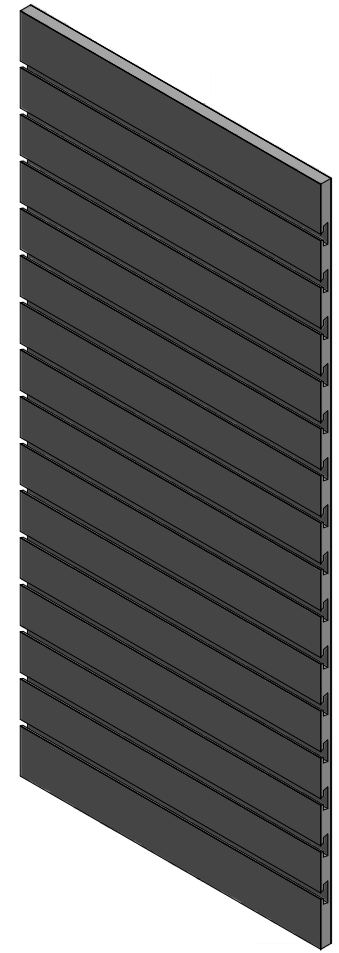
FRAME UPRITE RH



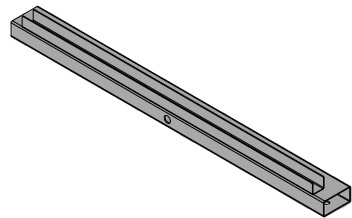
PEG PANEL



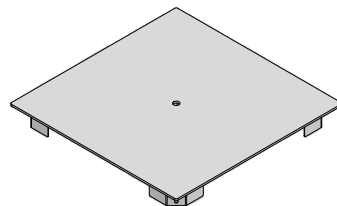
SLOT GRID PANEL



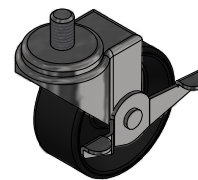
SLATWALL PANEL



FRAME CONNECTOR



TOPPER



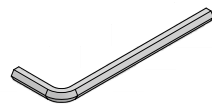
LOCKING CASTER



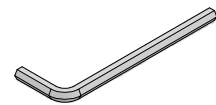
3/8-16 X 2 1/2" HEX SCREW



1/4-20 X 1/2" HEX SCREW



HEX WRENCH



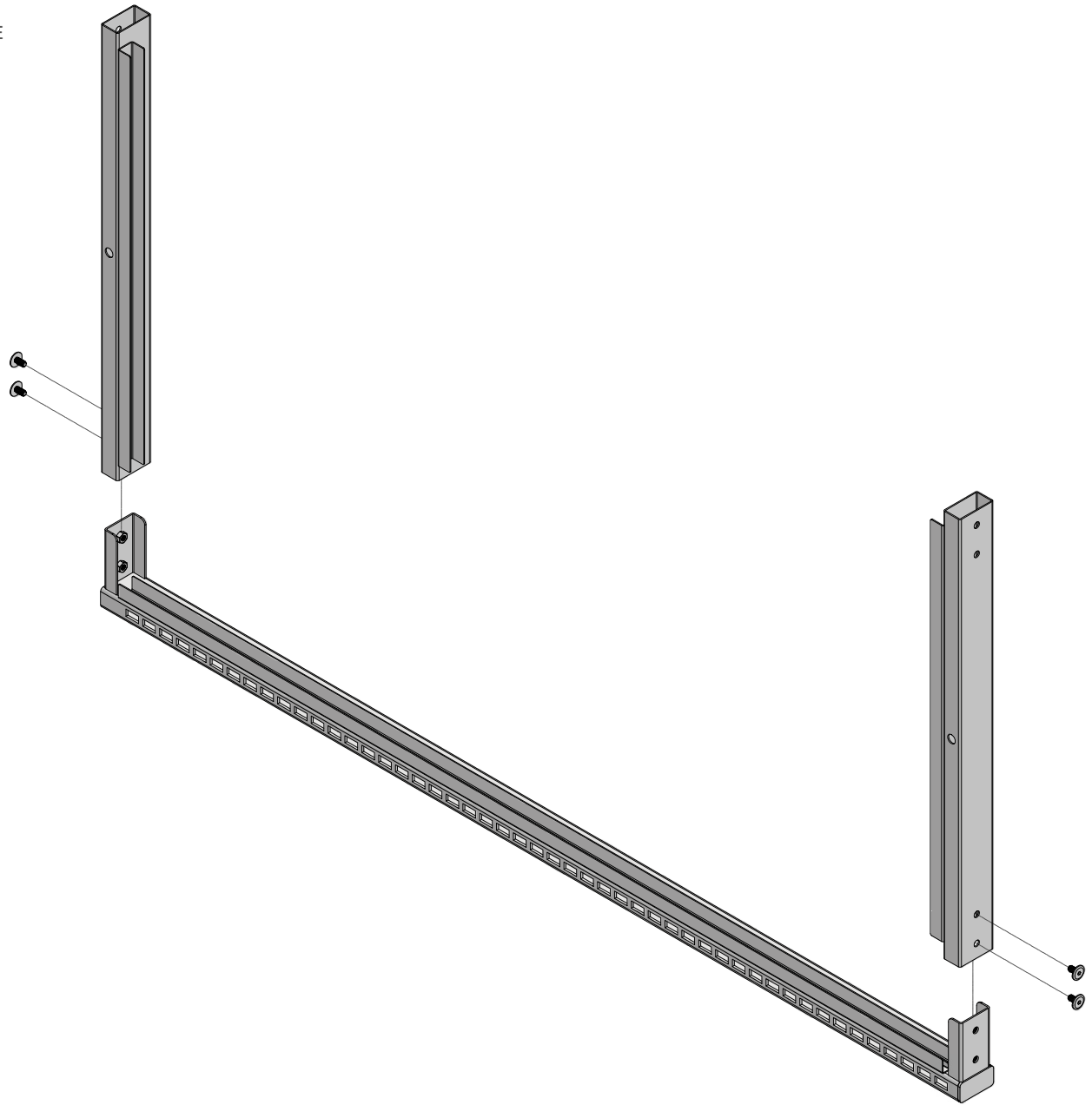
HEX WRENCH

**STEP 1:**  
LAY ONE OF THE RH FRAME UPRITES ON THE FLOOR AS SHOWN

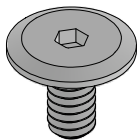
PLACE TWO FRAME CONNECTORS OVER THE CHANNELS ON THE FRAME UPRITE MAKING SURE THE CHANNELS ALIGN WITH THE FRAME UPRITE CHANNEL AS SHOWN

USING THE 1/4-20 X 1/2" HEX SCREWS, SECURE THE FRAME CONNECTORS TO THE FRAME UPRITE CHANNELS AND TIGHTEN WITH THE HEX WRENCH

REPEAT THIS PROCESS FOR THE OTHER THREE RH FRAME UPRITES



HARDWARE



1/4-20 X 1/2" HEX SCREW

**STEP 2:**

INSERT THE PANEL INTO THE CHANNELS OF THE FRAME CONNECTORS

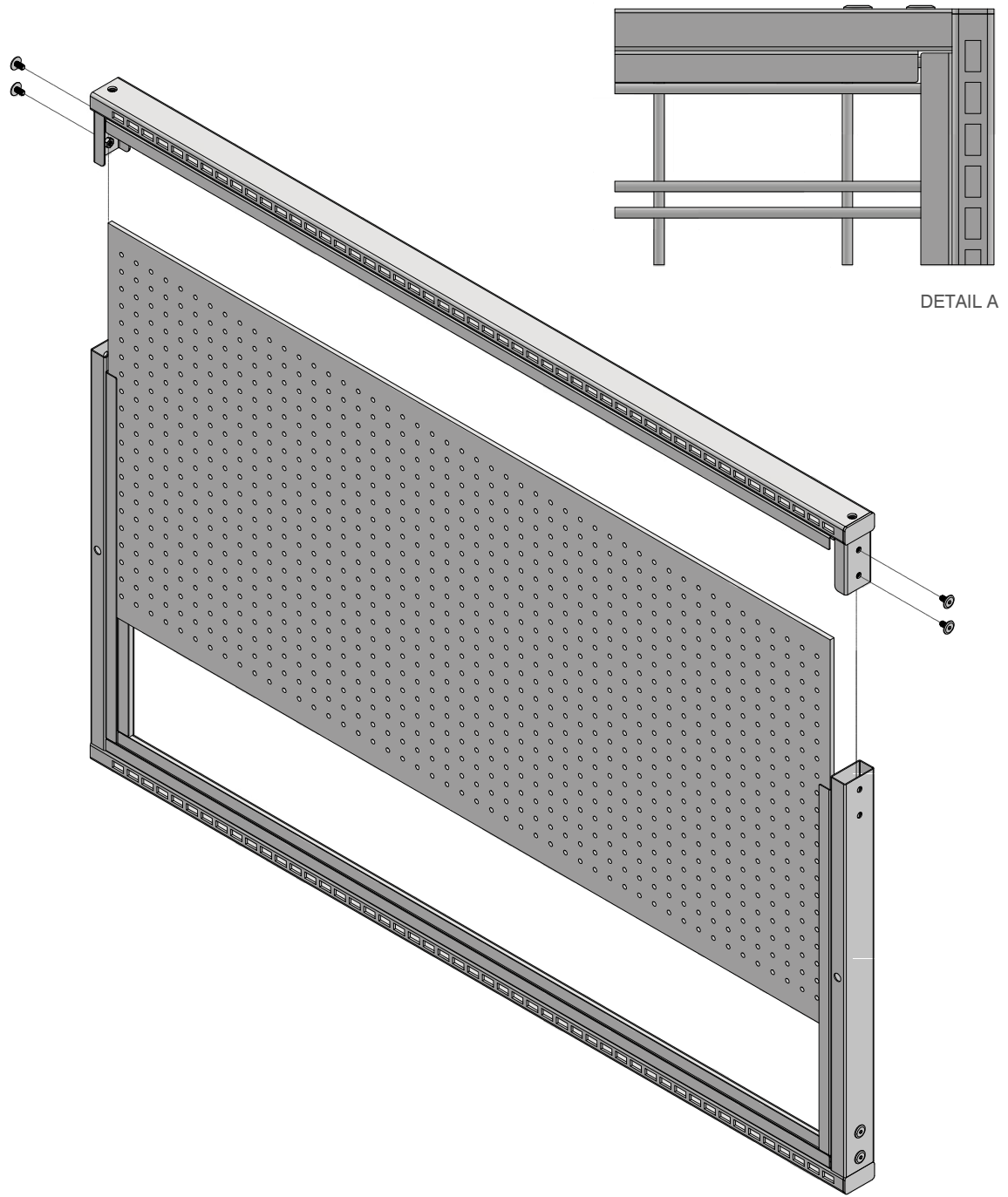
IF USING THE WIRE SLOT GRID, MAKE SURE THE 5 LONG WIRES ARE FACING TOWARD THE BACK OF THE FRAME AND THE SHORTER WIRES ARE FLUSH TO THE FRONT OF THE CHANNEL (SEE DETAIL A)

THE FRAME UPRITES HAVE A DIVIDER TAB THAT SPLITS THE CHANNEL IN HALF. KEEP THE PEGBOARD AND SLOT GRID PANELS IN THE HALF TOWARD THE FRONT OF THE CHANNEL. THE SLATWALL PANEL WILL REST ON THAT DIVIDER TAB BUT KEEP THE SLOTS FACING THE FRONT OF THE CHANNEL

ONCE THE PANEL IS INSERTED, PLACE THE LH FRAME UPRITE CHANNELS INTO THE FRAME CONNECTOR TUBES AND ENSURE THE PANEL IS INSERTED PROPERLY INTO THE FRAME UPRITE CHANNEL

USING THE 1/4-20 X 1/2" HEX SCREWS, SECURE THE FRAME CONNECTORS TO THE LH FRAME UPRITE CHANNELS AND TIGHTEN WITH THE HEX WRENCH

REPEAT THIS PROCESS FOR THE OTHER THREE FRAMES



HARDWARE

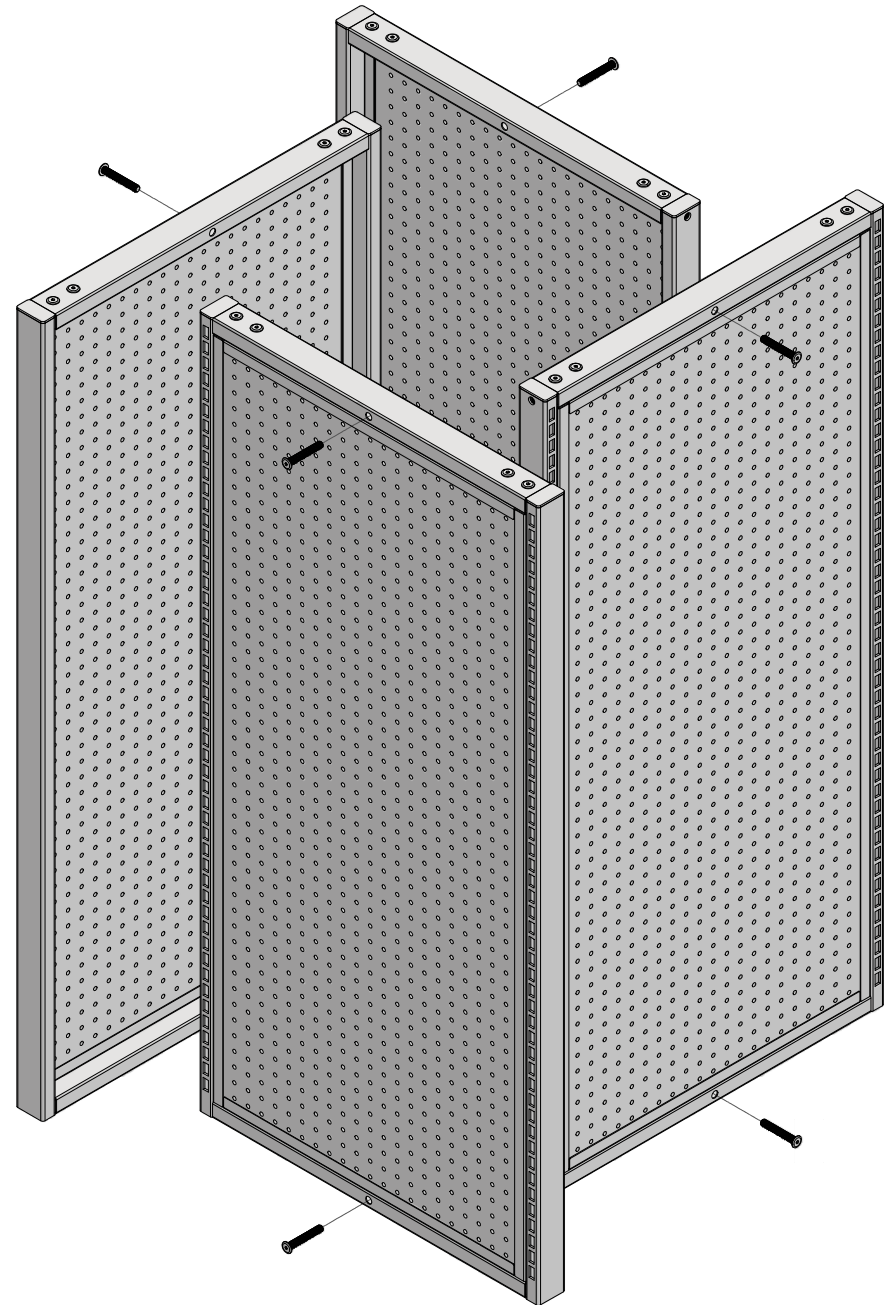


1/4-20 X 1/2" HEX SCREW

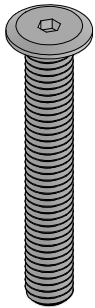
**STEP 3:**

USING 2-3 PEOPLE, STAND TWO FRAMES UP AND CONNECT THEM TOGETHER AS SHOWN BY INSERTING A 3/8-16 X 2 1/2" HEX SCREW THROUGH THE TOP AND BOTTOM FRAME CONNECTORS AND INTO THE LEFT FRAME UPRITE AND TIGHTEN THEM WITH A HEX WRENCH

REPEAT THIS PROCESS UNTIL ALL FOUR PANELS ARE FIRMLY ATTACHED TO EACH OTHER



HARDWARE



3/8-16 X 2 1/2" HEX SCREW

**STEP 4:**

NOW THAT THE FRAME IS ASSEMBLED, SCREW THE CASTERS INTO THE RH FRAME UPRITES AND TIGHTEN WITH A CRESCENT WRENCH

PLACE THE TOPPER IN THE CENTER OF THE TOP OF THE FIXTURE TO FINISH THE DISPLAY ASSEMBLY

THE UNIT IS NOW READY TO ACCEPT ACCESSORIES AND MERCHANDISE

**NOTE:**

FIXTURE WILL ACCEPT BOTH LOZIER AND MADIX SHELVES 2' WIDE BY 10" DEEP (NOT INCLUDED)

